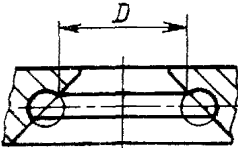
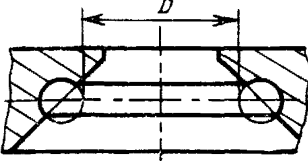
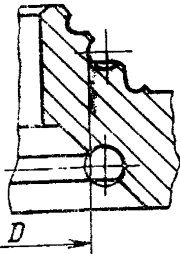
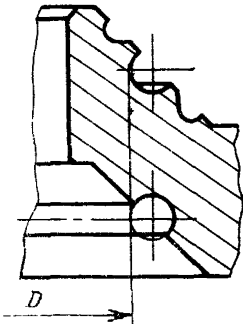


к ГОСТ 26298—84 Пресс-формы съемные этажные с коническим разъемом для изготовления резиновых колец круглого сечения. Конструкция и размеры

| В каком месте | Напечатано | Должно быть | | | | | | | | | | | | | | | | | | | | | | | | | | | | | | | | | | | | | | | | | | | | | | | | | | | | | | | | |
|--|--|---|-----|-------|-----|--|-----|-------|-----|--|-----|------------|-----|--|----|-------|----|--|------|---------|------|--|------|--|------|--|------|--|------|--|--|-----|--|-----|--|-----|--|-----|--|-----|--|-----|--|----|--|----|--|------|--|------|--|------|--|------|--|------|--|------|
| <p>Пункт 2. Чертеж 1 Пункт 5. Третий абзац</p> | <p>—</p> <p>на пуансоне и пуансон-матрице — условное обозначение пресс-формы (без слова «пресс-форма» и без наименования стандарта), порядковый номер пресс-формы.</p> <p>В пресс-форме исполнения 1 на нижней пуансон-матрице дополнительно маркировать цифру 2, на верхней пуансон-матрице — цифру 3</p> | <p>* Размеры для справок</p> <p>на пуансоне и пуансон-матрице — условное обозначение пресс-формы (без слова «пресс-форма» и без наименования стандарта), порядковый номер пресс-формы</p> | | | | | | | | | | | | | | | | | | | | | | | | | | | | | | | | | | | | | | | | | | | | | | | | | | | | | | | | |
| <p>Пункт 7. Чертеж 2</p> |  |  | | | | | | | | | | | | | | | | | | | | | | | | | | | | | | | | | | | | | | | | | | | | | | | | | | | | | | | | |
| <p>чертеж 3</p> |  |  | | | | | | | | | | | | | | | | | | | | | | | | | | | | | | | | | | | | | | | | | | | | | | | | | | | | | | | | |
| <p>таблица 3. Графы</p> | <table border="1"> <tbody> <tr><td></td><td>160</td></tr> <tr><td>D_1</td><td>170</td></tr> <tr><td></td><td>130</td></tr> <tr><td>D_2</td><td>140</td></tr> <tr><td></td><td>105</td></tr> <tr><td>D_3, D_4</td><td>115</td></tr> <tr><td></td><td>35</td></tr> <tr><td>D_5</td><td>45</td></tr> <tr><td></td><td>2,66</td></tr> <tr><td>«Масса»</td><td>2,88</td></tr> <tr><td></td><td>4,24</td></tr> <tr><td></td><td>4,68</td></tr> <tr><td></td><td>3,10</td></tr> <tr><td></td><td>3,46</td></tr> </tbody> </table> | | 160 | D_1 | 170 | | 130 | D_2 | 140 | | 105 | D_3, D_4 | 115 | | 35 | D_5 | 45 | | 2,66 | «Масса» | 2,88 | | 4,24 | | 4,68 | | 3,10 | | 3,46 | <table border="1"> <tbody> <tr><td></td><td>170</td></tr> <tr><td></td><td>180</td></tr> <tr><td></td><td>140</td></tr> <tr><td></td><td>150</td></tr> <tr><td></td><td>115</td></tr> <tr><td></td><td>125</td></tr> <tr><td></td><td>45</td></tr> <tr><td></td><td>55</td></tr> <tr><td></td><td>2,88</td></tr> <tr><td></td><td>3,21</td></tr> <tr><td></td><td>4,68</td></tr> <tr><td></td><td>5,12</td></tr> <tr><td></td><td>3,46</td></tr> <tr><td></td><td>3,73</td></tr> </tbody> </table> | | 170 | | 180 | | 140 | | 150 | | 115 | | 125 | | 45 | | 55 | | 2,88 | | 3,21 | | 4,68 | | 5,12 | | 3,46 | | 3,73 |
| | 160 | | | | | | | | | | | | | | | | | | | | | | | | | | | | | | | | | | | | | | | | | | | | | | | | | | | | | | | | | |
| D_1 | 170 | | | | | | | | | | | | | | | | | | | | | | | | | | | | | | | | | | | | | | | | | | | | | | | | | | | | | | | | | |
| | 130 | | | | | | | | | | | | | | | | | | | | | | | | | | | | | | | | | | | | | | | | | | | | | | | | | | | | | | | | | |
| D_2 | 140 | | | | | | | | | | | | | | | | | | | | | | | | | | | | | | | | | | | | | | | | | | | | | | | | | | | | | | | | | |
| | 105 | | | | | | | | | | | | | | | | | | | | | | | | | | | | | | | | | | | | | | | | | | | | | | | | | | | | | | | | | |
| D_3, D_4 | 115 | | | | | | | | | | | | | | | | | | | | | | | | | | | | | | | | | | | | | | | | | | | | | | | | | | | | | | | | | |
| | 35 | | | | | | | | | | | | | | | | | | | | | | | | | | | | | | | | | | | | | | | | | | | | | | | | | | | | | | | | | |
| D_5 | 45 | | | | | | | | | | | | | | | | | | | | | | | | | | | | | | | | | | | | | | | | | | | | | | | | | | | | | | | | | |
| | 2,66 | | | | | | | | | | | | | | | | | | | | | | | | | | | | | | | | | | | | | | | | | | | | | | | | | | | | | | | | | |
| «Масса» | 2,88 | | | | | | | | | | | | | | | | | | | | | | | | | | | | | | | | | | | | | | | | | | | | | | | | | | | | | | | | | |
| | 4,24 | | | | | | | | | | | | | | | | | | | | | | | | | | | | | | | | | | | | | | | | | | | | | | | | | | | | | | | | | |
| | 4,68 | | | | | | | | | | | | | | | | | | | | | | | | | | | | | | | | | | | | | | | | | | | | | | | | | | | | | | | | | |
| | 3,10 | | | | | | | | | | | | | | | | | | | | | | | | | | | | | | | | | | | | | | | | | | | | | | | | | | | | | | | | | |
| | 3,46 | | | | | | | | | | | | | | | | | | | | | | | | | | | | | | | | | | | | | | | | | | | | | | | | | | | | | | | | | |
| | 170 | | | | | | | | | | | | | | | | | | | | | | | | | | | | | | | | | | | | | | | | | | | | | | | | | | | | | | | | | |
| | 180 | | | | | | | | | | | | | | | | | | | | | | | | | | | | | | | | | | | | | | | | | | | | | | | | | | | | | | | | | |
| | 140 | | | | | | | | | | | | | | | | | | | | | | | | | | | | | | | | | | | | | | | | | | | | | | | | | | | | | | | | | |
| | 150 | | | | | | | | | | | | | | | | | | | | | | | | | | | | | | | | | | | | | | | | | | | | | | | | | | | | | | | | | |
| | 115 | | | | | | | | | | | | | | | | | | | | | | | | | | | | | | | | | | | | | | | | | | | | | | | | | | | | | | | | | |
| | 125 | | | | | | | | | | | | | | | | | | | | | | | | | | | | | | | | | | | | | | | | | | | | | | | | | | | | | | | | | |
| | 45 | | | | | | | | | | | | | | | | | | | | | | | | | | | | | | | | | | | | | | | | | | | | | | | | | | | | | | | | | |
| | 55 | | | | | | | | | | | | | | | | | | | | | | | | | | | | | | | | | | | | | | | | | | | | | | | | | | | | | | | | | |
| | 2,88 | | | | | | | | | | | | | | | | | | | | | | | | | | | | | | | | | | | | | | | | | | | | | | | | | | | | | | | | | |
| | 3,21 | | | | | | | | | | | | | | | | | | | | | | | | | | | | | | | | | | | | | | | | | | | | | | | | | | | | | | | | | |
| | 4,68 | | | | | | | | | | | | | | | | | | | | | | | | | | | | | | | | | | | | | | | | | | | | | | | | | | | | | | | | | |
| | 5,12 | | | | | | | | | | | | | | | | | | | | | | | | | | | | | | | | | | | | | | | | | | | | | | | | | | | | | | | | | |
| | 3,46 | | | | | | | | | | | | | | | | | | | | | | | | | | | | | | | | | | | | | | | | | | | | | | | | | | | | | | | | | |
| | 3,73 | | | | | | | | | | | | | | | | | | | | | | | | | | | | | | | | | | | | | | | | | | | | | | | | | | | | | | | | | |

**ПРЕСС-ФОРМЫ СЪЕМНЫЕ ЭТАЖНЫЕ
С КОНИЧЕСКИМ РАЗЪЕМОМ ДЛЯ ИЗГОТОВЛЕНИЯ
РЕЗИНОВЫХ КОЛЕЦ КРУГЛОГО СЕЧЕНИЯ**

Конструкция и размеры

Portable ream press moulds with conical
break for manufacturing of rubber O-rings
section. Design and dimensions

**ГОСТ
26298—84**

ОКП 39 6381

Постановлением Государственного комитета СССР по стандартам от 28 сентября
1984 г. № 3443 срок введения установлен

с 01.01.86

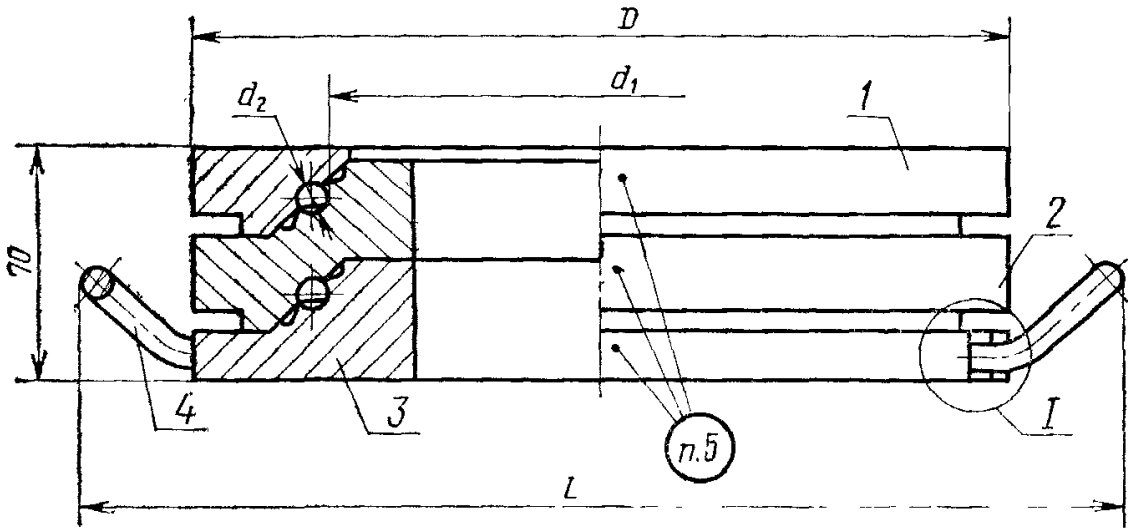
Несоблюдение стандарта преследуется по закону

1. Настоящий стандарт распространяется на съемные этажные пресс-формы с коническим разъемом для изготовления резиновых колец круглого сечения по ГОСТ 9833—73 внутренним диаметром от 61 до 299,5 мм из резиновых смесей с усадкой по ГОСТ 24513—80.

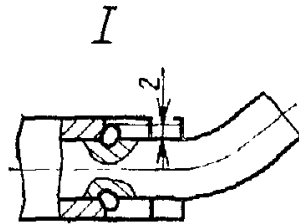
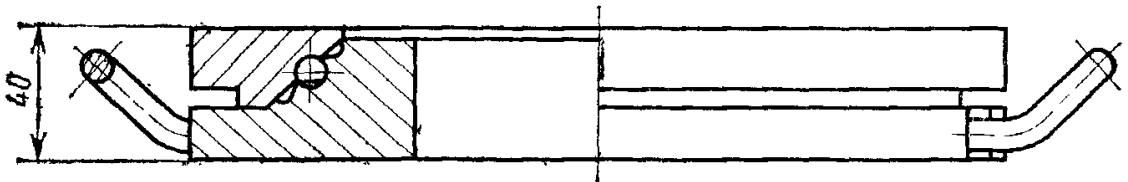
2. Конструкция и размеры пресс-форм должны соответствовать указанным на черт. 1 и в табл. 2.



Исполнение 1



Исполнение 2



I—пуансон по табл. 2; 2—пуансон-матрица по табл. 2; 3—матрица по табл. 2; 4—ручка 7095-0012 по ГОСТ 12486-67 (2 шт.)

Черт. 1

Таблица 1

Размеры, мм

| Обозначения | | Применяемость | | Кольцо по ГОСТ 9833—73 | | | D | L | Масса, кг, не более, для исполнений | |
|-----------------------|-----------|---------------|---|------------------------|----------------|----------------|-----|-------|-------------------------------------|---|
| пресс-форм исполнений | | 1 | 2 | Обозначение | d ₁ | d ₂ | | | 1 | 2 |
| 1 | 2 | | | | | | 1 | 2 | | |
| 1886-2671 | 1886-2672 | | | 062-066-25 | 61,0 | | 150 | 8,93 | 5,14 | |
| 1886-2673 | 1886-2674 | | | 064-068-25 | 62,5 | | | | | |
| 1886-2675 | 1886-2676 | | | 065-070-25 | 63,5 | | | | | |
| 1886-2677 | 1886-2678 | | | 068-072-25 | 66,5 | | | | | |
| 1886-2679 | 1886-2681 | | | 070-075-25 | 68,5 | | | | | |
| 1886-2682 | 1886-2683 | | | 072-078-25 | 70,5 | | 160 | 10,00 | 5,76 | |
| 1886-2684 | 1886-2685 | | | 075-080-25 | 73,5 | | | | | |
| 1886-2686 | 1886-2687 | | | 078-082-25 | 76,5 | | | | | |
| 1886-2688 | 1886-2689 | | | 080-085-25 | 78,5 | | | | | |
| 1886-2691 | 1886-2692 | | | 082-088-25 | 80,5 | | | | | |
| 1886-2693 | 1886-2694 | | | 085-090-25 | 83,5 | | 170 | 11,02 | 6,34 | |
| 1886-2695 | 1886-2696 | | | 088-092-25 | 86,5 | | | | | |
| 1886-2697 | 1886-2698 | | | 090-095-25 | 88,5 | | | | | |
| 1886-2699 | 1886-2701 | | | 092-098-25 | 90,5 | | | | | |
| 1886-2702 | 1886-2703 | | | 095-100-25 | 93,0 | | | | | |
| 1886-2704 | 1886-2705 | | | 098-102-25 | 96,0 | | 180 | 12,06 | 6,94 | |
| 1886-2706 | 1886-2707 | | | 100-105-25 | 98,0 | | | | | |
| 1886-2708 | 1886-2709 | | | 102-108-25 | 100,0 | | | | | |
| 1886-2711 | 1886-2712 | | | 105-110-25 | 103,0 | | | | | |
| 1886-2713 | 1886-2714 | | | 108-112-25 | 106,0 | | | | | |
| 1886-2715 | 1886-2716 | | | 110-115-25 | 108,0 | | 190 | 13,12 | 7,55 | |
| 1886-2717 | 1886-2718 | | | 112-118-25 | 110,0 | | | | | |
| 1886-2719 | 1886-2721 | | | 115-120-25 | 113,0 | | | | | |
| 1886-2722 | 1886-2723 | | | 118-122-25 | 116,0 | | | | | |
| 1886-2724 | 1886-2725 | | | 120-125-25 | 118,0 | | | | | |
| 1886-2726 | 1886-2727 | | | 122-128-25 | 120,0 | | 200 | 14,19 | 8,17 | |
| 1886-2728 | 1886-2729 | | | 125-130-25 | 122,5 | | | | | |
| 1886-2731 | 1886-2732 | | | 130-135-25 | 127,5 | | | | | |
| | | | | | | | 210 | 15,24 | 8,78 | |

Размеры, мм

| Обозначения | | Применяемость | | Кольцо по ГОСТ 9833—73 | | | D | L | Масса, кг, не более, для исполненных | |
|-----------------------|-----------|---------------|---|------------------------|----------------|----------------|-----|-------|--------------------------------------|---|
| пресс-форм исполнений | | | | Обозначение | d ₁ | d ₂ | | | 1 | 2 |
| 1 | 2 | 1 | 2 | | | | | | | |
| 1886-2733 | 1886-2734 | | | 135-140-25 | 132,5 | 2,5 | 220 | 16,29 | 9,39 | |
| 1886-2735 | 1886-2736 | | | 140-145-25 | 137,5 | | | | | |
| 1886-2737 | 1886-2738 | | | 145-150-25 | 142,5 | | | | | |
| 1886-2739 | 1886-2741 | | | 150-155-25 | 147,5 | 2,5 | 230 | 17,34 | 10,00 | |
| 1886-2742 | 1886-2743 | | | 063-068-30 | 62,0 | | | | | |
| 1886-2744 | 1886-2745 | | | 065-070-30 | 63,5 | | | | | |
| 1886-2746 | 1886-2747 | | | 066-071-30 | 64,5 | 2,5 | 150 | 8,93 | 5,14 | |
| 1886-2748 | 1886-2749 | | | 070-075-30 | 68,5 | | | | | |
| 1886-2751 | 1886-2752 | | | 071-076-30 | 69,5 | | | | | |
| 1886-2753 | 1886-2754 | | | 075-080-30 | 73,5 | 2,5 | 160 | 10,00 | 5,76 | |
| 1886-2755 | 1886-2756 | | | 080-085-30 | 78,5 | | | | | |
| 1886-2757 | 1886-2758 | | | 082-088-30 | 80,5 | | | | | |
| 1886-2759 | 1886-2761 | | | 085-090-30 | 83,5 | 2,5 | 170 | 11,02 | 6,34 | |
| 1886-2762 | 1886-2763 | | | 088-092-30 | 85,5 | | | | | |
| 1886-2764 | 1886-2765 | | | 090-095-30 | 88,5 | | | | | |
| 1886-2766 | 1886-2767 | | | 092-098-30 | 90,5 | 3,0 | 180 | 12,06 | 6,94 | |
| 1886-2768 | 1886-2769 | | | 095-100-30 | 93,0 | | | | | |
| 1886-2771 | 1886-2772 | | | 098-102-30 | 95,0 | | | | | |
| 1886-2773 | 1886-2774 | | | 100-105-30 | 98,0 | 3,0 | 190 | 13,12 | 7,55 | |
| 1886-2775 | 1886-2776 | | | 102-108-30 | 100,0 | | | | | |
| 1886-2777 | 1886-2778 | | | 105-110-30 | 103,0 | | | | | |
| 1886-2779 | 1886-2781 | | | 108-112-30 | 105,0 | 3,0 | 200 | 14,19 | 8,17 | |
| 1886-2782 | 1886-2783 | | | 110-115-30 | 108,0 | | | | | |
| 1886-2784 | 1886-2785 | | | 112-118-30 | 110,0 | | | | | |
| 1886-2786 | 1886-2787 | | | 115-120-30 | 113,0 | 3,0 | 210 | 15,24 | 8,78 | |
| 1886-2788 | 1886-2789 | | | 120-125-30 | 118,0 | | | | | |
| 1886-2791 | 1886-2792 | | | 125-130-30 | 122,5 | | | | | |
| 1886-2793 | 1886-2794 | | | 130-135-30 | 127,5 | | | | | |

Продолжение табл. 1

Размеры, мм

| Обозначения | | Применяемость | | Кольцо по ГОСТ 9833—73 | | | D | L | Масса, кг, не более, для исполнений | |
|-----------------------|-----------|---------------|---|------------------------|----------------|----------------|-------|-------|-------------------------------------|---|
| пресс-форм исполнений | | | | Обозначение | d ₁ | d ₂ | | | 1 | 2 |
| 1 | 2 | 1 | 2 | | | | | | | |
| 1886-2795 | 1886-2796 | | | 135-140-30 | 132,5 | 3,0 | 220 | 16,29 | 9,39 | |
| 1886-2797 | 1886-2798 | | | 140-145-30 | 137,5 | | | | | |
| 1886-2799 | 1886-2801 | | | 145-150-30 | 142,5 | | 230 | 17,34 | 10,00 | |
| 1886-2802 | 1886-2803 | | | 150-155-30 | 147,5 | | | | | |
| 1886-2804 | 1886-2805 | | | 062-068-36 | 61,0 | 3,6 | 150 | 8,93 | 5,14 | |
| 1886-2806 | 1886-2807 | | | 063-069-36 | 62,0 | | | | | |
| 1886-2808 | 1886-2809 | | | 064-070-36 | 62,5 | | | | | |
| 1886-2811 | 1886-2812 | | | 065-071-36 | 63,5 | | | | | |
| 1886-2813 | 1886-2814 | | | 066-072-36 | 64,5 | | | | | |
| 1886-2815 | 1886-2816 | | | 068-074-36 | 66,5 | | | | | |
| 1886-2817 | 1886-2818 | | | 069-075-36 | 67,5 | | | | | |
| 1886-2819 | 1886-2821 | | | 070-076-36 | 68,5 | | | | | |
| 1886-2822 | 1886-2823 | | | 071-077-36 | 69,5 | | | | | |
| 1886-2824 | 1886-2825 | | | 072-078-36 | 70,5 | | | | | |
| 1886-2826 | 1886-2827 | | | 074-080-36 | 72,5 | 3,6 | 160 | 10,00 | 5,76 | |
| 1886-2828 | 1886-2829 | | | 075-081-36 | 73,5 | | | | | |
| 1886-2831 | 1886-2832 | | | 076-082-36 | 74,5 | | | | | |
| 1886-2833 | 1886-2834 | | | 078-084-36 | 76,5 | | | | | |
| 1886-2835 | 1886-2836 | | | 079-085-36 | 77,5 | | | | | |
| 1886-2837 | 1886-2838 | | | 080-086-36 | 78,5 | | | | | |
| 1886-2839 | 1886-2841 | | | 082-088-36 | 80,5 | 3,6 | 170 | 11,02 | 6,34 | |
| 1886-2842 | 1886-2843 | | | 084-090-36 | 82,5 | | | | | |
| 1886-2844 | 1886-2845 | | | 085-091-36 | 83,5 | | | | | |
| 1886-2846 | 1886-2847 | | | 086-092-36 | 84,5 | | | | | |
| 1886-2848 | 1886-2849 | | | 088-094-36 | 86,5 | | | | | |
| 1886-2851 | 1886-2852 | | | 089-095-36 | 87,5 | | | | | |
| 1886-2853 | 1886-2854 | | | 090-096-36 | 88,5 | | | | | |
| 1886-2855 | 1886-2856 | | | 092-098-36 | 90,5 | 180 | 12,06 | 6,94 | | |

Размеры, мм

| Обозначения | | Применяемость | | Кольцо по ГОСТ 9833—73 | | | D | L | Масса, кг, не более, для исполнений | |
|-----------------------|-----------|---------------|---|------------------------|----------------|----------------|-----|-------|-------------------------------------|---|
| | | | | Обозначение | d ₁ | d ₂ | | | 1 | 2 |
| пресс-форм исполнений | | | | | | | | | | |
| 1 | 2 | 1 | 2 | | | | | | | |
| 1886-2857 | 1886-2858 | | | 094-100-36 | 92,0 | | 180 | 12,06 | 6,94 | |
| 1886-2859 | 1886-2861 | | | 095-101-36 | 93,0 | | | | | |
| 1886-2862 | 1886-2863 | | | 096-102-36 | 94,0 | | | | | |
| 1886-2864 | 1886-2865 | | | 098-104-36 | 96,0 | | | | | |
| 1886-2866 | 1886-2867 | | | 099-105-36 | 97,0 | | | | | |
| 1886-2868 | 1886-2869 | | | 100-106-36 | 98,0 | | | | | |
| 1886-2871 | 1886-2872 | | | 102-108-36 | 100,0 | | 190 | 13,12 | 7,55 | |
| 1886-2873 | 1886-2874 | | | 104-110-36 | 102,0 | | | | | |
| 1886-2875 | 1886-2876 | | | 105-111-36 | 103,0 | | | | | |
| 1886-2877 | 1886-2878 | | | 106-112-36 | 104,0 | | | | | |
| 1886-2879 | 1886-2881 | | | 108-114-36 | 106,0 | | | | | |
| 1886-2882 | 1886-2883 | | | 109-115-36 | 107,0 | | | | | |
| 1886-2884 | 1886-2885 | | | 110-116-36 | 108,0 | | 200 | 14,19 | 8,17 | |
| 1886-2886 | 1886-2887 | | | 112-118-36 | 110,0 | | | | | |
| 1886-2888 | 1886-2889 | | | 114-120-36 | 112,0 | | | | | |
| 1886-2891 | 1886-2892 | | | 115-121-36 | 113,0 | | | | | |
| 1886-2893 | 1886-2894 | | | 118-124-36 | 116,0 | | | | | |
| 1886-2895 | 1886-2896 | | | 120-126-36 | 118,0 | | | | | |
| 1886-2897 | 1886-2898 | | | 125-130-36 | 121,5 | | 210 | 15,24 | 8,78 | |
| 1886-2899 | 1886-2901 | | | 130-135-36 | 126,5 | | | | | |
| 1886-2902 | 1886-2903 | | | 135-140-36 | 131,5 | | 220 | 16,29 | 9,39 | |
| 1886-2904 | 1886-2905 | | | 140-145-36 | 136,5 | | | | | |
| 1886-2906 | 1886-2907 | | | 145-150-36 | 141,5 | | 230 | 17,34 | 10,00 | |
| 1886-2908 | 1886-2909 | | | 150-155-36 | 146,5 | | | | | |
| 1886-2911 | 1886-2912 | | | 155-160-36 | 151,0 | | 240 | 18,40 | 10,61 | |
| 1886-2913 | 1886-2914 | | | 160-165-36 | 156,0 | | | | | |
| 1886-2915 | 1886-2916 | | | 165-170-36 | 161,0 | | 250 | 19,57 | 11,34 | |
| 1886-2917 | 1886-2918 | | | 170-175-36 | 166,0 | | | | | |

Продолжение табл. 1

Размеры, мм

| Обозначения | | Приме- няе- мость | | Кольцо по ГОСТ 9833—73 | | | D | L | Масса, кг, не более, для исполнений | |
|-----------------------|-----------|-------------------------|---|---------------------------|----------------|----------------|-------|-------|---|-------|
| пресс-форм исполнений | | | | Обозначение | d ₁ | d ₂ | | | 1 | 2 |
| 1 | 2 | 1 | 2 | | | | | | | |
| 1886-2919 | 1886-2921 | | | 175-180-36 | 171,0 | 3,6 | 260 | 328 | 20,65 | 11,97 |
| 1886-2922 | 1886-2923 | | | 180-185-36 | 176,0 | | | | | |
| 1886-2924 | 1886-2925 | | | 185-190-36 | 181,0 | | | | | |
| 1886-2926 | 1886-2927 | | | 190-195-36 | 186,0 | | 270 | 338 | 21,70 | 12,57 |
| 1886-2928 | 1886-2929 | | | 195-200-36 | 191,5 | | | | | |
| 1886-2931 | 1886-2932 | | | 200-205-36 | 195,5 | | | | | |
| 1886-2933 | 1886-2934 | | | 205-210-36 | 200,5 | | 290 | 359 | 23,81 | 13,81 |
| 1886-2935 | 1886-2936 | | | 210-215-36 | 205,5 | | | | | |
| 1886-2937 | 1886-2938 | | | 215-220-36 | 210,5 | | | | | |
| 1886-2939 | 1886-2941 | | | 220-225-36 | 216,0 | | 310 | 380 | 25,96 | 15,06 |
| 1886-2942 | 1886-2943 | | | 225-230-36 | 220,0 | | | | | |
| 1886-2944 | 1886-2945 | | | 230-235-36 | 225,0 | | | | | |
| 1886-2946 | 1886-2947 | | | 235-240-36 | 230,0 | | 320 | 391 | 27,02 | 15,68 |
| 1886-2948 | 1886-2949 | | | 240-245-36 | 235,0 | | | | | |
| 1886-2951 | 1886-2952 | | | 245-250-36 | 240,0 | | | | | |
| 1886-2953 | 1886-2954 | | | 250-255-36 | 245,5 | 330 | 401 | 28,08 | 16,30 | |
| 1886-2955 | 1886-2956 | | | 062-070-46 | 61,0 | | | | | |
| 1886-2957 | 1886-2958 | | | 063-071-46 | 62,0 | | | | | |
| 1886-2959 | 1886-2961 | | | 064-072-46 | 62,5 | 150 | 8,93 | 5,14 | | |
| 1886-2962 | 1886-2963 | | | 065-073-46 | 63,5 | | | | | |
| 1886-2964 | 1886-2965 | | | 067-075-46 | 65,5 | | | | | |
| 1886-2966 | 1886-2967 | | | 068-076-46 | 66,5 | 4,6 | — | | | |
| 1886-2968 | 1886-2969 | | | 070-078-46 | 68,5 | | | | | |
| 1886-2971 | 1886-2972 | | | 072-080-46 | 70,5 | | | | | |
| 1886-2973 | 1886-2974 | | | 074-082-46 | 72,5 | 160 | 10,00 | 5,76 | | |
| 1886-2975 | 1886-2976 | | | 075-083-46 | 73,5 | | | | | |
| 1886-2977 | 1886-2978 | | | 077-085-46 | 75,5 | | | | | |
| 1886-2979 | 1886-2981 | | | 078-086-46 | 76,5 | | | | | |

Размеры, мм

| Обозначения | | Приме- ние- мость | | Кольцо по ГОСТ 9833—73 | | | D | L | Масса, кг, не более, для исполнений | |
|-----------------------|-----------|-------------------------|---|---------------------------|----------------|----------------|-----|-----|---|-------|
| пресс-форм исполнений | | | | Обозначение | d ₁ | d ₂ | | | 1 | 2 |
| 1 | 2 | 1 | 2 | | | | | | | |
| 1886-2982 | 1886-2983 | | | 080-088-46 | 78,5 | | 160 | | 10,00 | 5,76 |
| 1886-2984 | 1886-2985 | | | 082-090-46 | 80,5 | | | | | |
| 1886-2986 | 1886-2987 | | | 085-092-46 | 82,5 | | 170 | | 11,02 | 6,34 |
| 1886-2988 | 1886-2989 | | | 088-095-46 | 85,5 | | | | | |
| 1886-2991 | 1886-2992 | | | 090-098-46 | 88,5 | | | | | |
| 1886-2993 | 1886-2994 | | | 092-100-46 | 90,5 | | | | | |
| 1886-2995 | 1886-2996 | | | 095-102-46 | 92,0 | | | | | |
| 1886-2997 | 1886-2998 | | | 098-105-46 | 95,0 | | 180 | | 12,06 | 6,94 |
| 1886-2999 | 1886-3001 | | | 100-108-46 | 98,0 | | | | | |
| 1886-3002 | 1886-3003 | | | 102-110-46 | 100,0 | | | | | |
| 1886-3004 | 1886-3005 | | | 105-112-46 | 102,0 | | | | | |
| 1886-3006 | 1886-3007 | | | 108-115-46 | 105,0 | | | | | |
| 1886-3008 | 1886-3009 | | | 110-118-46 | 108,0 | | 190 | — | 13,12 | 7,55 |
| 1886-3011 | 1886-3012 | | | 112-120-46 | 110,0 | 4,6 | | | | |
| 1886-3013 | 1886-3014 | | | 115-122-46 | 112,0 | | | | | |
| 1886-3015 | 1886-3016 | | | 118-125-46 | 115,0 | | 200 | | 14,19 | 8,17 |
| 1886-3017 | 1886-3018 | | | 120-128-46 | 118,0 | | | | | |
| 1886-3019 | 1886-3021 | | | 122-130-46 | 120,0 | | | | | |
| 1886-3022 | 1886-3023 | | | 125-135-46 | 122,5 | | 210 | | 15,24 | 8,78 |
| 1886-3024 | 1886-3025 | | | 130-140-46 | 127,5 | | | | | |
| 1886-3026 | 1886-3027 | | | 135-145-46 | 132,5 | | 220 | | 16,29 | 9,39 |
| 1886-3028 | 1886-3029 | | | 140-150-46 | 137,5 | | | | | |
| 1886-3031 | 1886-3032 | | | 145-155-46 | 142,5 | | 230 | | 17,34 | 10,00 |
| 1886-3033 | 1886-3034 | | | 150-160-46 | 147,5 | | | | | |
| 1886-3035 | 1886-3036 | | | 155-165-46 | 152,0 | | 240 | | 18,40 | 10,61 |
| 1886-3037 | 1886-3038 | | | 160-170-46 | 157,0 | | | | | |
| 1886-3039 | 1886-3041 | | | 165-175-46 | 162,0 | | 250 | 317 | 19,57 | 11,34 |
| 1886-3042 | 1886-3043 | | | 170-180-46 | 167,0 | | | | | |

Продолжение табл. 1

Размеры, мм

| Обозначения | | Приме- няе- мость | | Кольцо по ГОСТ 9833—73 | | | D | L | Масса, кг, не более, для исполнений | |
|-----------------------|-----------|-------------------------|---|---------------------------|----------------|----------------|-----|-------|---|-------|
| пресс-форм исполнений | | 1 | 2 | Обозначение | d ₁ | d ₂ | | | 1 | 2 |
| 1 | 2 | | | | | | 1 | 2 | | |
| 1886-3044 | 1886-3045 | | | 175-185-46 | 172,0 | | 260 | 328 | 20,65 | 11,97 |
| 1886-3046 | 1886-3047 | | | 180-190-46 | 177,0 | | | | | |
| 1886-3048 | 1886-3049 | | | 185-195-46 | 182,0 | | 270 | 338 | 21,70 | 12,57 |
| 1886-3051 | 1886-3052 | | | 190-200-46 | 187,0 | | | | | |
| 1886-3053 | 1886-3054 | | | 195-205-46 | 191,5 | | 280 | 349 | 22,75 | 13,19 |
| 1886-3055 | 1886-3056 | | | 200-210-46 | 196,5 | | | | | |
| 1886-3057 | 1886-3058 | | | 205-215-46 | 201,5 | | 290 | 359 | 23,81 | 13,81 |
| 1886-3059 | 1886-3061 | | | 210-220-46 | 206,5 | 4,6 | | | | |
| 1886-3062 | 1886-3063 | | | 215-225-46 | 211,5 | | | 300 | 370 | 24,89 |
| 1886-3064 | 1886-3065 | | | 220-230-46 | 216,0 | | | | | |
| 1886-3066 | 1886-3067 | | | 225-235-46 | 221,0 | | 310 | 380 | 25,96 | 15,06 |
| 1886-3068 | 1886-3069 | | | 230-240-46 | 226,0 | | | | | |
| 1886-3071 | 1886-3072 | | | 235-245-46 | 231,0 | | 320 | 391 | 27,02 | 15,68 |
| 1886-3073 | 1886-3074 | | | 240-250-46 | 236,0 | | | | | |
| 1886-3075 | 1886-3076 | | | 245-255-46 | 241,0 | | 330 | 401 | 28,08 | 16,30 |
| 1886-3077 | 1886-3078 | | | 250-260-46 | 245,5 | | | | | |
| 1886-3079 | 1886-3081 | | | 063-073-58 | 61,0 | | 150 | 8,93 | 5,14 | |
| 1886-3082 | 1886-3083 | | | 065-075-58 | 63,5 | | | | | |
| 1886-3084 | 1886-3085 | | | 070-080-58 | 68,5 | | | | | |
| 1886-3086 | 1886-3087 | | | 071-081-58 | 70,0 | | | | | |
| 1886-3088 | 1886-3089 | | | 075-085-58 | 73,5 | | | | | |
| 1886-3091 | 1886-3092 | | | 080-090-58 | 78,5 | 5,8 | 160 | — | 10,00 | 5,76 |
| 1886-3093 | 1886-3094 | | | 082-092-58 | 80,5 | | | | | |
| 1886-3095 | 1886-3096 | | | 085-095-58 | 83,5 | | 170 | 11,02 | 6,34 | |
| 1886-3097 | 1886-3098 | | | 088-098-58 | 86,5 | | | | | |
| 1886-3099 | 1886-3101 | | | 090-100-58 | 88,5 | | | | | |
| 1886-3102 | 1886-3103 | | | 092-102-58 | 90,5 | | | | | |
| 1886-3104 | 1886-3105 | | | 095-105-58 | 93,0 | | 180 | 12,06 | 6,94 | |

Размеры, мм

| Обозначения | | Применяемость | | Кольцо по ГОСТ 9833—73 | | | D | L | Масса, кг, не более, для исполнений | |
|-----------------------|-----------|---------------|---|------------------------|----------------|----------------|-----|-------|-------------------------------------|------|
| | | | | Обозначение | d ₁ | d ₂ | | | | |
| пресс-форм исполнений | | | | | | | | | 1 | 2 |
| 1 | 2 | 1 | 2 | | | | | | | |
| 1886-3106 | 1886-3107 | | | 098-108-58 | 96,0 | 5,8 | 180 | | 12,06 | 6,94 |
| 1886-3108 | 1886-3109 | | | 100-110-58 | 98,0 | | | | | |
| 1886-3111 | 1886-3112 | | | 102-112-58 | 100,0 | | | | | |
| 1886-3113 | 1886-3114 | | | 105-115-58 | 103,0 | 190 | | 13,12 | 7,55 | |
| 1886-3115 | 1886-3116 | | | 108-118-58 | 106,0 | | | | | |
| 1886-3117 | 1886-3118 | | | 110-120-58 | 108,0 | | | | | |
| 1886-3119 | 1886-3121 | | | 112-122-58 | 110,0 | 200 | | 14,19 | 8,17 | |
| 1886-3122 | 1886-3123 | | | 115-125-58 | 113,0 | | | | | |
| 1886-3124 | 1886-3125 | | | 118-128-58 | 116,0 | | | | | |
| 1886-3126 | 1886-3127 | | | 120-130-58 | 118,0 | 210 | | 15,24 | 8,78 | |
| 1886-3128 | 1886-3129 | | | 125-135-58 | 122,5 | | | | | |
| 1886-3131 | 1886-3132 | | | 130-140-58 | 127,5 | | | | | |
| 1886-3133 | 1886-3134 | | | 135-145-58 | 132,5 | 220 | | 16,29 | 9,39 | |
| 1886-3135 | 1886-3136 | | | 140-150-58 | 137,5 | | | | | |
| 1886-3137 | 1886-3138 | | | 145-155-58 | 142,5 | | | | | |
| 1886-3139 | 1886-3141 | | | 150-160-58 | 147,5 | 230 | | 17,34 | 10,00 | |
| 1886-3142 | 1886-3143 | | | 155-165-58 | 152,0 | | | | | |
| 1886-3144 | 1886-3145 | | | 160-170-58 | 157,0 | | | | | |
| 1886-3146 | 1886-3147 | | | 165-175-58 | 162,0 | 250 | 317 | 19,57 | 11,34 | |
| 1886-3148 | 1886-3149 | | | 170-180-58 | 167,0 | | | | | |
| 1886-3151 | 1886-3152 | | | 175-185-58 | 172,0 | | | | | |
| 1886-3153 | 1886-3154 | | | 180-190-58 | 177,0 | 260 | 328 | 20,65 | 11,97 | |
| 1886-3155 | 1886-3156 | | | 185-195-58 | 182,0 | | | | | |
| 1886-3157 | 1886-3158 | | | 190-200-58 | 187,0 | | | | | |
| 1886-3159 | 1886-3161 | | | 195-205-58 | 191,5 | 270 | 338 | 21,70 | 12,57 | |
| 1886-3162 | 1886-3163 | | | 200-210-58 | 196,5 | | | | | |
| 1886-3164 | 1886-3165 | | | 205-215-58 | 201,5 | | | | | |
| 1886-3166 | 1886-3167 | | | 210-220-58 | 206,5 | 280 | 349 | 22,75 | 13,19 | |
| | | | | | | 290 | 359 | 23,81 | 13,81 | |

Продолжение табл. 1

Размеры, мм

| Обозначения | | Применяемость | | Кольцо по ГОСТ 9833—73 | | | D | L | Масса, кг, не более, для исполнений | | |
|-----------------------|-----------|---------------|---|------------------------|----------------|----------------|-----|-----|-------------------------------------|-------|--|
| | | | | Обозначение | d ₁ | d ₂ | | | 1 | 2 | |
| пресс-форм исполнений | | | | | | | | | | | |
| 1 | 2 | 1 | 2 | | | | | | | | |
| 1886-3168 | 1886-3169 | | | 215-225-58 | 211,5 | 5,8 | 300 | 370 | 24,89 | 14,43 | |
| 1886-3171 | 1886-3172 | | | 220-230-58 | 216,0 | | | | | | |
| 1886-3173 | 1886-3174 | | | 225-235-58 | 221,0 | | 310 | 380 | 25,96 | 15,06 | |
| 1886-3175 | 1886-3176 | | | 230-240-58 | 226,0 | | | | | | |
| 1886-3177 | 1886-3178 | | | 235-245-58 | 231,0 | | 320 | 391 | 27,02 | 15,68 | |
| 1886-3179 | 1886-3181 | | | 240-250-58 | 236,0 | | | | | | |
| 1886-3182 | 1886-3183 | | | 245-255-58 | 241,0 | | 330 | 401 | 28,08 | 16,30 | |
| 1886-3184 | 1886-3185 | | | 250-260-58 | 245,5 | | | | | | |
| 1886-3186 | 1886-3187 | | | 255-265-58 | 250,5 | | 340 | 411 | 29,17 | 16,94 | |
| 1886-3188 | 1886-3189 | | | 260-270-58 | 255,5 | | | | | | |
| 1886-3191 | 1886-3192 | | | 265-275-58 | 260,5 | | 350 | 421 | 30,22 | 17,54 | |
| 1886-3193 | 1886-3194 | | | 270-280-58 | 265,5 | | | | | | |
| 1886-3195 | 1886-3196 | | | 275-285-58 | 270,5 | | 360 | 432 | 31,31 | 18,16 | |
| 1886-3197 | 1886-3198 | | | 280-290-58 | 275,0 | | | | | 18,19 | |
| 1886-3199 | 1886-3201 | | | 285-295-58 | 280,0 | | 370 | 442 | 32,36 | 18,80 | |
| 1886-3202 | 1886-3203 | | | 290-300-58 | 285,0 | | | | | | |
| 1886-3204 | 1886-3205 | | | 295-305-58 | 290,0 | | 380 | 452 | 33,43 | 19,42 | |
| 1886-3206 | 1886-3207 | | | 300-310-58 | 294,5 | | | | | | |
| 1886-3208 | 1886-3209 | | | 082-095-75 | 79,5 | 7,5 | 170 | | 11,02 | 6,34 | |
| 1886-3211 | 1886-3212 | | | 090-102-75 | 87,5 | | | | | | |
| 1886-3213 | 1886-3214 | | | 092-105-75 | 89,5 | | | | | | |
| 1886-3215 | 1886-3216 | | | 095-108-75 | 92,0 | | 180 | | 12,06 | 6,94 | |
| 1886-3217 | 1886-3218 | | | 098-110-75 | 95,0 | | | | | | |
| 1886-3219 | 1886-3221 | | | 100-112-75 | 97,0 | | | | | | |
| 1886-3222 | 1886-3223 | | | 102-115-75 | 100,0 | | | | | | |
| 1886-3224 | 1886-3225 | | | 105-118-75 | 103,0 | | | | | | |
| 1886-3226 | 1886-3227 | | | 108-120-75 | 105,0 | | 190 | | 13,12 | 7,55 | |
| 1886-3228 | 1886-3229 | | | 110-122-75 | 107,0 | | | | | | |

Размеры, мм

| Обозначения | | Применяемость | | Кольцо по ГОСТ 9833—73 | | | D | L | Масса, кг, не более, для исполнений | |
|-----------------------|-----------|---------------|---|------------------------|----------------|----------------|-----|-------|-------------------------------------|------|
| | | | | Обозначение | d ₁ | d ₂ | | | 1 | 2 |
| пресс-форм исполнений | | | | | | | | | | |
| 1 | 2 | 1 | 2 | | | | | | | |
| 1886-3231 | 1886-3232 | | | 112-125-75 | 110,0 | 7,5 | 200 | | 14,19 | 8,17 |
| 1886-3233 | 1886-3234 | | | 115-128-75 | 113,0 | | | | | |
| 1886-3235 | 1886-3236 | | | 118-130-75 | 115,0 | | | | | |
| 1886-3237 | 1886-3238 | | | 120-132-75 | 117,0 | | | | | |
| 1886-3239 | 1886-3241 | | | 122-135-75 | 120,0 | | | | | |
| 1886-3242 | 1886-3243 | | | 122-138-75 | 122,5 | 210 | | 15,24 | 8,78 | |
| 1886-3244 | 1886-3245 | | | 128-140-75 | 124,5 | | | | | |
| 1886-3246 | 1886-3247 | | | 130-142-75 | 126,5 | | | | | |
| 1886-3248 | 1886-3249 | | | 132-145-75 | 128,5 | 220 | | 16,29 | 9,39 | |
| 1886-3251 | 1886-3252 | | | 135-150-85 | 129,5 | | | | | |
| 1886-3253 | 1886-3254 | | | 140-155-85 | 134,5 | | | | | |
| 1886-3255 | 1886-3256 | | | 145-160-85 | 139,5 | | | | | |
| 1886-3257 | 1886-3258 | | | 150-165-85 | 144,5 | | | | | |
| 1886-3259 | 1886-3261 | | | 155-170-85 | 149,5 | 240 | | 18,40 | 10,61 | |
| 1886-3262 | 1886-3263 | | | 160-175-85 | 155,0 | | | | | |
| 1886-3264 | 1886-3265 | | | 165-180-85 | 160,0 | | | | | |
| 1886-3266 | 1886-3267 | | | 170-185-85 | 165,0 | 250 | 317 | 19,57 | 11,34 | |
| 1886-3268 | 1886-3269 | | | 175-190-85 | 170,0 | | | | | |
| 1886-3271 | 1886-3272 | | | 180-195-85 | 175,0 | | | | | |
| 1886-3273 | 1886-3274 | | | 185-200-85 | 180,0 | | | | | |
| 1886-3275 | 1886-3276 | | | 190-205-85 | 185,0 | | | | | |
| 1886-3277 | 1886-3278 | | | 195-210-85 | 191,5 | 280 | 349 | 22,75 | 13,19 | |
| 1886-3279 | 1886-3281 | | | 200-215-85 | 196,5 | | | | | |
| 1886-3282 | 1886-3283 | | | 205-220-85 | 201,5 | | | | | |
| 1886-3284 | 1886-3285 | | | 210-225-85 | 206,5 | 300 | 370 | 24,89 | 14,43 | |
| 1886-3286 | 1886-3287 | | | 215-230-85 | 211,5 | | | | | |
| 1886-3288 | 1886-3289 | | | 220-235-85 | 216,5 | | | | | |
| 1886-3291 | 1886-3292 | | | 225-240-85 | 221,0 | 310 | 380 | 25,96 | 15,06 | |

Продолжение табл. 1

Размеры, мм

| Обозначения | | Приме- няе- мость | | Кольцо по ГОСТ 9833—73 | | | D | L | Масса, кг, не более, для исполнений | |
|------------------------|-----------|-------------------------|---|---------------------------|----------------|----------------|-----|-----|---|-------|
| пресс-формы исполнений | | | | Обозначение | d ₁ | d ₂ | | | 1 | 2 |
| 1 | 2 | 1 | 2 | | | | | | | |
| 1886-3293 | 1886-3294 | | | 230-245-85 | 226,0 | 8,5 | 320 | 391 | 27,02 | 15,68 |
| 1886-3295 | 1886-3296 | | | 235-250-85 | 231,0 | | | | | |
| 1886-3297 | 1886-3298 | | | 240-255-85 | 236,0 | | | | | |
| 1886-3299 | 1886-3301 | | | 245-260-85 | 241,0 | | 330 | 401 | 28,08 | 16,30 |
| 1886-3302 | 1886-3303 | | | 250-265-85 | 245,5 | | | | | |
| 1886-3304 | 1886-3305 | | | 255-270-85 | 250,5 | | 340 | 411 | 29,17 | 16,94 |
| 1886-3306 | 1886-3307 | | | 260-275-85 | 255,5 | | | | | |
| 1886-3308 | 1886-3309 | | | 265-280-85 | 260,5 | | 350 | 421 | 30,22 | 17,54 |
| 1886-3311 | 1886-3312 | | | 280-295-85 | 275,0 | | | | | |
| 1886-3313 | 1886-3314 | | | 285-300-85 | 280,0 | | 370 | 442 | 32,36 | 18,80 |
| 1886-3315 | 1886-3316 | | | 300-315-85 | 294,5 | | | | | |
| 1886-3317 | 1886-3318 | | | 305-320-85 | 299,5 | | 390 | 463 | 34,63 | 19,70 |
| | | | | | | | | | | |

Пример условного обозначения пресс-формы для резинового кольца 062—066—25 размерами $d_1=61$ мм и $d_2=2,5$ мм первой группы точности из резиновой смеси со средней усадкой 1,2% (интервал усадок 0,9—1,5%) по ГОСТ 24513—80, диаметром $D=150$ мм, исполнения 1:

Пресс-форма 1886-2671—1,2 ГОСТ 26298—84

То же, для резинового кольца второй группы точности:

Пресс-форма 1886-2671—1,2—2 ГОСТ 26298—84

Таблица 2

| Обозначения пресс-форм исполнений | | Поз. 1 Пуансон Кол. 1 | Поз. 2 Пуансон-матрица Кол. 1 для исп. 1 | Поз. 3 Матрица Кол. 1 |
|-----------------------------------|-----------|-----------------------------|---|-----------------------------|
| 1 | 2 | | | |
| Обозначения деталей | | | | |
| 1886-2671 | 1886-2672 | 1886-2671/001 | 1886-2671/002 | 1886-2671/003 |
| 1886-2673 | 1886-2674 | 1886-2673/001 | 1886-2673/002 | 1886-2673/003 |
| 1886-2675 | 1886-2676 | 1886-2675/001 | 1886-2675/002 | 1886-2675/003 |
| 1886-2677 | 1886-2678 | 1886-2677/001 | 1886-2677/002 | 1886-2677/003 |
| 1886-2679 | 1886-2681 | 1886-2679/001 | 1886-2679/002 | 1886-2679/003 |
| 1886-2682 | 1886-2683 | 1886-2682/001 | 1886-2682/002 | 1886-2682/003 |
| 1886-2684 | 1886-2685 | 1886-2684/001 | 1886-2684/002 | 1886-2684/003 |
| 1886-2686 | 1886-2687 | 1886-2686/001 | 1886-2686/002 | 1886-2686/003 |
| 1886-2688 | 1886-2689 | 1886-2688/001 | 1886-2688/002 | 1886-2688/003 |
| 1886-2691 | 1886-2692 | 1886-2691/001 | 1886-2691/002 | 1886-2691/003 |
| 1886-2693 | 1886-2694 | 1886-2693/001 | 1886-2693/002 | 1886-2693/003 |
| 1886-2695 | 1886-2696 | 1886-2695/001 | 1886-2695/002 | 1886-2695/003 |
| 1886-2697 | 1886-2698 | 1886-2697/001 | 1886-2697/002 | 1886-2697/003 |
| 1886-2699 | 1886-2701 | 1886-2699/001 | 1886-2699/002 | 1886-2699/003 |
| 1886-2702 | 1886-2703 | 1886-2702/001 | 1886-2702/002 | 1886-2702/003 |
| 1886-2704 | 1886-2705 | 1886-2704/001 | 1886-2704/002 | 1886-2704/003 |
| 1886-2706 | 1886-2707 | 1886-2706/001 | 1886-2706/002 | 1886-2706/003 |
| 1886-2708 | 1886-2709 | 1886-2708/001 | 1886-2708/002 | 1886-2708/003 |
| 1886-2711 | 1886-2712 | 1886-2711/001 | 1886-2711/002 | 1886-2711/003 |
| 1886-2713 | 1886-2714 | 1886-2713/001 | 1886-2713/002 | 1886-2713/003 |
| 1886-2715 | 1886-2716 | 1886-2715/001 | 1886-2715/002 | 1886-2715/003 |
| 1886-2717 | 1886-2718 | 1886-2717/001 | 1886-2717/002 | 1886-2817/003 |
| 1886-2719 | 1886-2721 | 1886-2719/001 | 1886-2719/002 | 1886-2719/003 |
| 1886-2722 | 1886-2723 | 1886-2722/001 | 1886-2722/002 | 1886-2722/003 |
| 1886-2724 | 1886-2725 | 1886-2724/001 | 1886-2724/002 | 1886-2724/003 |
| 1886-2726 | 1886-2727 | 1886-2726/001 | 1886-2726/002 | 1886-2726/003 |
| 1886-2728 | 1886-2729 | 1886-2728/001 | 1886-2728/002 | 1886-2728/003 |
| 1886-2731 | 1886-2732 | 1886-2731/001 | 1886-2731/002 | 1886-2731/003 |

Продолжение табл. 2

| Обозначения пресс-форм исполнений | | Поз. 1 Пуансон Кол. 1 | Поз. 2 Пуансон-матрица Кол. 1 для исп. 1 | Поз. 3 Матрица Кол. 1 |
|--------------------------------------|-----------|-----------------------------|---|-----------------------------|
| 1 | 2 | Обозначения деталей | | |
| 1886-2733 | 1886-2734 | 1886-2733/001 | 1886-2733/002 | 1886-2733/003 |
| 1886-2735 | 1886-2736 | 1886-2735/001 | 1886-2735/002 | 1886-2735/003 |
| 1886-2737 | 1886-2738 | 1886-2737/001 | 1886-2737/002 | 1886-2737/003 |
| 1886-2739 | 1886-2741 | 1886-2739/001 | 1886-2739/002 | 1886-2739/003 |
| 1886-2742 | 1886-2743 | 1886-2742/001 | 1886-2742/002 | 1886-2742/003 |
| 1886-2744 | 1886-2745 | 1886-2744/001 | 1886-2744/002 | 1886-2744/003 |
| 1886-2746 | 1886-2747 | 1886-2746/001 | 1886-2746/002 | 1886-2746/003 |
| 1886-2748 | 1886-2749 | 1886-2748/001 | 1886-2748/002 | 1886-2748/003 |
| 1886-2751 | 1886-2752 | 1886-2751/001 | 1886-2751/002 | 1886-2751/003 |
| 1886-2753 | 1886-2754 | 1886-2753/001 | 1886-2753/002 | 1886-2753/003 |
| 1886-2755 | 1886-2756 | 1886-2755/001 | 1886-2755/002 | 1886-2755/003 |
| 1886-2757 | 1886-2758 | 1886-2757/001 | 1886-2757/002 | 1886-2757/003 |
| 1886-2759 | 1886-2761 | 1886-2759/001 | 1886-2759/002 | 1886-2759/003 |
| 1886-2762 | 1886-2763 | 1886-2762/001 | 1886-2762/002 | 1886-2762/003 |
| 1886-2764 | 1886-2765 | 1886-2764/001 | 1886-2764/002 | 1886-2764/003 |
| 1886-2766 | 1886-2767 | 1886-2766/001 | 1886-2766/002 | 1886-2766/003 |
| 1886-2768 | 1886-2769 | 1886-2768/001 | 1886-2768/002 | 1886-2768/003 |
| 1886-2771 | 1886-2772 | 1886-2771/001 | 1886-2771/002 | 1886-2771/003 |
| 1886-2773 | 1886-2774 | 1886-2773/001 | 1886-2773/002 | 1886-2773/003 |
| 1886-2775 | 1886-2776 | 1886-2775/001 | 1886-2775/002 | 1886-2775/003 |
| 1886-2777 | 1886-2778 | 1886-2777/001 | 1886-2777/002 | 1886-2777/003 |
| 1886-2779 | 1886-2781 | 1886-2779/001 | 1886-2779/002 | 1886-2779/003 |
| 1886-2782 | 1886-2783 | 1886-2782/001 | 1886-2782/002 | 1886-2782/003 |
| 1886-2784 | 1886-2785 | 1886-2784/001 | 1886-2784/002 | 1886-2784/003 |
| 1886-2786 | 1886-2787 | 1886-2786/001 | 1886-2786/002 | 1886-2786/003 |
| 1886-2788 | 1886-2789 | 1886-2788/001 | 1886-2788/002 | 1886-2788/003 |
| 1886-2791 | 1886-2792 | 1886-2791/001 | 1886-2791/002 | 1886-2791/003 |
| 1886-2793 | 1886-2794 | 1886-2793/001 | 1886-2793/002 | 1886-2793/003 |

Продолжение табл. 2

| Обозначения пресс-форм исполнений | | Поз. 1 Пуансон Кол. 1 | Поз. 2 Пуансон-матрица Кол. 1 для исп. 1 | Поз. 3 Матрица Кол. 1 |
|-----------------------------------|-----------|-----------------------------|---|-----------------------------|
| 1 | 2 | | | |
| Обозначения деталей | | | | |
| 1886-2795 | 1886-2796 | 1886-2795/001 | 1886-2795/002 | 1886-2795/003 |
| 1886-2797 | 1886-2798 | 1886-2797/001 | 1886-2797/002 | 1886-2797/003 |
| 1886-2799 | 1886-2801 | 1886-2799/001 | 1886-2799/002 | 1886-2799/003 |
| 1886-2802 | 1886-2803 | 1886-2802/001 | 1886-2802/002 | 1886-2802/003 |
| 1886-2804 | 1886-2805 | 1886-2804/001 | 1886-2804/002 | 1886-2804/003 |
| 1886-2806 | 1886-2807 | 1886-2806/001 | 1886-2806/002 | 1886-2806/003 |
| 1886-2808 | 1886-2809 | 1886-2808/001 | 1886-2808/002 | 1886-2808/003 |
| 1886-2811 | 1886-2812 | 1886-2811/001 | 1886-2811/002 | 1886-2811/003 |
| 1886-2813 | 1886-2814 | 1886-2813/001 | 1886-2813/002 | 1886-2813/003 |
| 1886-2815 | 1886-2816 | 1886-2815/001 | 1886-2815/002 | 1886-2815/003 |
| 1886-2817 | 1886-2818 | 1886-2817/001 | 1886-2817/002 | 1886-2817/003 |
| 1886-2819 | 1886-2821 | 1886-2819/001 | 1886-2819/002 | 1886-2819/003 |
| 1886-2822 | 1886-2823 | 1886-2822/001 | 1886-2822/002 | 1886-2822/003 |
| 1886-2824 | 1886-2825 | 1886-2824/001 | 1886-2824/002 | 1886-2824/003 |
| 1886-2826 | 1886-2827 | 1886-2826/001 | 1886-2826/002 | 1886-2826/003 |
| 1886-2828 | 1886-2829 | 1886-2828/001 | 1886-2828/002 | 1886-2828/003 |
| 1886-2831 | 1886-2832 | 1886-2831/001 | 1886-2831/002 | 1886-2831/003 |
| 1886-2833 | 1886-2834 | 1886-2833/001 | 1886-2833/002 | 1886-2833/003 |
| 1886-2835 | 1886-2836 | 1886-2835/001 | 1886-2835/002 | 1886-2835/003 |
| 1886-2837 | 1886-2838 | 1886-2837/001 | 1886-2837/002 | 1886-2837/003 |
| 1886-2839 | 1886-2841 | 1886-2839/001 | 1886-2839/002 | 1886-2839/003 |
| 1886-2842 | 1886-2843 | 1886-2842/001 | 1886-2842/002 | 1886-2842/003 |
| 1886-2844 | 1886-2845 | 1886-2844/001 | 1886-2844/002 | 1886-2844/003 |
| 1886-2846 | 1886-2847 | 1886-2846/001 | 1886-2846/002 | 1886-2846/003 |
| 1886-2848 | 1886-2849 | 1886-2848/001 | 1886-2848/002 | 1886-2848/003 |
| 1886-2851 | 1886-2852 | 1886-2851/001 | 1886-2851/002 | 1886-2851/003 |
| 1886-2853 | 1886-2854 | 1886-2853/001 | 1886-2853/002 | 1886-2853/003 |
| 1886-2855 | 1886-2856 | 1886-2855/001 | 1886-2855/002 | 1886-2855/003 |

Продолжение табл. 2

| Обозначения пресс-форм исполнений | | Поз. 1 Пуансон Код. 1 | Поз. 2 Пуансон-матрица Код. 1 для исп. 1 | Поз. 3 Матрица Код. 1 |
|--------------------------------------|-----------|-----------------------------|---|-----------------------------|
| 1 | 2 | | | |
| Обозначения деталей | | | | |
| 1886-2857 | 1886-2858 | 1886-2857/001 | 1886-2857/002 | 1886-2857/003 |
| 1886-2859 | 1886-2861 | 1886-2859/001 | 1886-2859/002 | 1886-2859/003 |
| 1886-2862 | 1886-2863 | 1886-2862/001 | 1886-2862/002 | 1886-2862/003 |
| 1886-2864 | 1886-2865 | 1886-2864/001 | 1886-2864/002 | 1886-2864/003 |
| 1886-2866 | 1886-2867 | 1886-2866/001 | 1886-2866/002 | 1886-2866/003 |
| 1886-2868 | 1886-2869 | 1886-2868/001 | 1886-2868/002 | 1886-2868/003 |
| 1886-2871 | 1886-2872 | 1886-2871/001 | 1886-2871/002 | 1886-2871/003 |
| 1886-2873 | 1886-2874 | 1886-2873/001 | 1886-2873/002 | 1886-2873/003 |
| 1886-2875 | 1886-2876 | 1886-2875/001 | 1886-2875/002 | 1886-2875/003 |
| 1886-2877 | 1886-2878 | 1886-2877/001 | 1886-2877/002 | 1886-2877/003 |
| 1886-2879 | 1886-2881 | 1886-2879/001 | 1886-2879/002 | 1886-2879/003 |
| 1886-2882 | 1886-2883 | 1886-2882/001 | 1886-2882/002 | 1886-2882/003 |
| 1886-2884 | 1886-2885 | 1886-2884/001 | 1886-2884/002 | 1886-2884/003 |
| 1886-2886 | 1886-2887 | 1886-2886/001 | 1886-2886/002 | 1886-2886/003 |
| 1886-2888 | 1886-2889 | 1886-2888/001 | 1886-2888/002 | 1886-2888/003 |
| 1886-2891 | 1886-2892 | 1886-2891/001 | 1886-2891/002 | 1886-2891/003 |
| 1886-2893 | 1886-2894 | 1886-2893/001 | 1886-2893/002 | 1886-2893/003 |
| 1886-2895 | 1886-2896 | 1886-2895/001 | 1886-2895/002 | 1886-2895/003 |
| 1886-2897 | 1886-2898 | 1886-2897/001 | 1886-2897/002 | 1886-2897/003 |
| 1886-2899 | 1886-2901 | 1886-2899/001 | 1886-2899/002 | 1886-2899/003 |
| 1886-2902 | 1886-2903 | 1886-2902/001 | 1886-2902/002 | 1886-2902/003 |
| 1886-2904 | 1886-2905 | 1886-2904/001 | 1886-2904/002 | 1886-2904/003 |
| 1886-2906 | 1886-2907 | 1886-2906/001 | 1886-2906/002 | 1886-2906/003 |
| 1886-2908 | 1886-2909 | 1886-2908/001 | 1886-2908/002 | 1886-2908/003 |
| 1886-2911 | 1886-2912 | 1886-2911/001 | 1886-2911/002 | 1886-2911/003 |
| 1886-2913 | 1886-2914 | 1886-2913/001 | 1886-2913/002 | 1886-2913/003 |
| 1886-2915 | 1886-2916 | 1886-2915/001 | 1886-2915/002 | 1886-2915/003 |
| 1886-2917 | 1886-2918 | 1886-2917/001 | 1886-2917/002 | 1886-2917/003 |

| Обозначения пресс-форм исполнений | | Поз. 1 Пуансон Кол. 1 | Поз. 2 Пуансон-матрица Кол. 1 для исп. 1 | Поз. 3 Матрица Кол. 1 |
|--------------------------------------|-----------|-----------------------------|---|-----------------------------|
| 1 | 2 | Обозначения деталей | | |
| 1886-2919 | 1886-2921 | 1886-2919/001 | 1886-2919/002 | 1886-2919/003 |
| 1886-2922 | 1886-2923 | 1886-2922/001 | 1886-2922/002 | 1886-2922/003 |
| 1886-2924 | 1886-2925 | 1886-2924/001 | 1886-2924/002 | 1886-2924/003 |
| 1886-2926 | 1886-2927 | 1886-2926/001 | 1886-2926/002 | 1886-2926/003 |
| 1886-2928 | 1886-2929 | 1886-2928/001 | 1886-2928/002 | 1886-2928/003 |
| 1886-2931 | 1886-2932 | 1886-2931/001 | 1886-2931/002 | 1886-2931/003 |
| 1886-2933 | 1886-2934 | 1886-2933/001 | 1886-2933/002 | 1886-2933/003 |
| 1886-2935 | 1886-2936 | 1886-2935/001 | 1886-2935/002 | 1886-2935/003 |
| 1886-2937 | 1886-2938 | 1886-2937/001 | 1886-2937/002 | 1886-2937/003 |
| 1886-2939 | 1886-2941 | 1886-2939/001 | 1886-2939/002 | 1886-2939/003 |
| 1886-2942 | 1886-2943 | 1886-2942/001 | 1886-2942/002 | 1886-2942/003 |
| 1886-2944 | 1886-2945 | 1886-2944/001 | 1886-2944/002 | 1886-2944/003 |
| 1886-2946 | 1886-2947 | 1886-2946/001 | 1886-2946/002 | 1886-2946/003 |
| 1886-2948 | 1886-2949 | 1886-2948/001 | 1886-2948/002 | 1886-2948/003 |
| 1886-2951 | 1886-2952 | 1886-2951/001 | 1886-2951/002 | 1886-2951/003 |
| 1886-2953 | 1886-2954 | 1886-2953/001 | 1886-2953/002 | 1886-2953/003 |
| 1886-2955 | 1886-2956 | 1886-2955/001 | 1886-2955/002 | 1886-2955/003 |
| 1886-2957 | 1886-2958 | 1886-2957/001 | 1886-2957/002 | 1886-2957/003 |
| 1886-2959 | 1886-2961 | 1886-2959/001 | 1886-2959/002 | 1886-2959/003 |
| 1886-2962 | 1886-2963 | 1886-2962/001 | 1886-2962/002 | 1886-2962/003 |
| 1886-2964 | 1886-2965 | 1886-2964/001 | 1886-2964/002 | 1886-2964/003 |
| 1886-2966 | 1886-2967 | 1886-2966/001 | 1886-2966/002 | 1886-2966/003 |
| 1886-2968 | 1886-2969 | 1886-2968/001 | 1886-2968/002 | 1886-2968/003 |
| 1886-2971 | 1886-2972 | 1886-2971/001 | 1886-2971/002 | 1886-2971/003 |
| 1886-2973 | 1886-2974 | 1886-2973/001 | 1886-2973/002 | 1886-2973/003 |
| 1886-2975 | 1886-2976 | 1886-2975/001 | 1886-2975/002 | 1886-2975/003 |
| 1886-2977 | 1886-2978 | 1886-2977/001 | 1886-2977/002 | 1886-2977/003 |
| 1886-2979 | 1886-2981 | 1886-2979/001 | 1886-2979/002 | 1886-2979/003 |

Продолжение табл. 2

| Обозначения пресс-форм исполнений | | Поз. 1 Пуансон Кол. 1 | Поз. 2 Пуансон-матрица Кол. 1 для исп. 1 | Поз. 2 Матрица Кол. 1 |
|-----------------------------------|-----------|-----------------------------|---|-----------------------------|
| 1 | 2 | | | |
| Обозначения деталей | | | | |
| 1886-2982 | 1886-2983 | 1886-2982/001 | 1886-2982/002 | 1886-2982/003 |
| 1886-2984 | 1886-2985 | 1886-2984/001 | 1886-2984/002 | 1886-2984/003 |
| 1886-2986 | 1886-2987 | 1886-2986/001 | 1886-2986/002 | 1886-2986/003 |
| 1886-2988 | 1886-2989 | 1886-2988/001 | 1886-2988/002 | 1886-2988/003 |
| 1886-2991 | 1886-2992 | 1886-2991/001 | 1886-2991/002 | 1886-2991/003 |
| 1886-2993 | 1886-2994 | 1886-2993/001 | 1886-2993/002 | 1886-2993/003 |
| 1886-2995 | 1886-2996 | 1886-2995/001 | 1886-2995/002 | 1886-2995/003 |
| 1886-2997 | 1886-2998 | 1886-2997/001 | 1886-2997/002 | 1886-2997/003 |
| 1886-2999 | 1886-3001 | 1886-2999/001 | 1886-2999/002 | 1886-2999/003 |
| 1886-3002 | 1886-3003 | 1886-3002/001 | 1886-3002/002 | 1886-3002/003 |
| 1886-3004 | 1886-3005 | 1886-3004/001 | 1886-3004/002 | 1886-3004/003 |
| 1886-3006 | 1886-3007 | 1886-3006/001 | 1886-3006/002 | 1886-3006/003 |
| 1886-3008 | 1886-3009 | 1886-3008/001 | 1886-3008/002 | 1886-3008/003 |
| 1886-3011 | 1886-3012 | 1886-3011/001 | 1886-3011/002 | 1886-3011/003 |
| 1886-3013 | 1886-3014 | 1886-3013/001 | 1886-3013/002 | 1886-3013/003 |
| 1886-3015 | 1886-3016 | 1886-3015/001 | 1886-3015/002 | 1886-3015/003 |
| 1886-3017 | 1886-3018 | 1886-3017/001 | 1886-3017/002 | 1886-3017/003 |
| 1886-3019 | 1886-3021 | 1886-3019/001 | 1886-3019/002 | 1886-3019/003 |
| 1886-3022 | 1886-3023 | 1886-3022/001 | 1886-3022/002 | 1886-3022/003 |
| 1886-3024 | 1886-3025 | 1886-3024/001 | 1886-3024/002 | 1886-3024/003 |
| 1886-3026 | 1886-3027 | 1886-3026/001 | 1886-3026/002 | 1886-3026/003 |
| 1886-3028 | 1886-3029 | 1886-3028/001 | 1886-3028/002 | 1886-3028/003 |
| 1886-3031 | 1886-3032 | 1886-3031/001 | 1886-3031/002 | 1886-3031/003 |
| 1886-3033 | 1886-3034 | 1886-3033/001 | 1886-3033/002 | 1886-3033/003 |
| 1886-3035 | 1886-3036 | 1886-3035/001 | 1886-3035/002 | 1886-3035/003 |
| 1886-3037 | 1886-3038 | 1886-3037/001 | 1886-3037/002 | 1886-3037/003 |
| 1886-3039 | 1886-3041 | 1886-3039/001 | 1886-3039/002 | 1886-3039/003 |
| 1886-3042 | 1886-3043 | 1886-3042/001 | 1886-3042/002 | 1886-3042/003 |

Продолжение табл. 2

| Обозначения пресс-формы исполнений | | Поз. 1 Пуансон Кол. 1 | Поз. 2 Пуансон-матрица Кол. 1 для исп. 1 | Поз. 3 Матрица Кол. 1 |
|------------------------------------|-----------|-----------------------------|---|-----------------------------|
| 1 | 2 | | | |
| 1886-3044 | 1886-3045 | 1886-3044/001 | 1886-3044/002 | 1886-3044/003 |
| 1886-3046 | 1886-3047 | 1886-3046/001 | 1886-3046/002 | 1886-3046/003 |
| 1886-3048 | 1886-3049 | 1886-3048/001 | 1886-3048/002 | 1886-3048/003 |
| 1886-3051 | 1886-3052 | 1886-3051/001 | 1886-3051/002 | 1886-3051/003 |
| 1886-3053 | 1886-3054 | 1886-3053/001 | 1886-3053/002 | 1886-3053/003 |
| 1886-3055 | 1886-3056 | 1886-3055/001 | 1886-3055/002 | 1886-3055/003 |
| 1886-3057 | 1886-3058 | 1886-3057/001 | 1886-3057/002 | 1886-3057/003 |
| 1886-3059 | 1886-3061 | 1886-3059/001 | 1886-3059/002 | 1886-3059/003 |
| 1886-3062 | 1886-3063 | 1886-3062/001 | 1886-3062/002 | 1886-3062/003 |
| 1886-3064 | 1886-3065 | 1886-3064/001 | 1886-3064/002 | 1886-3064/003 |
| 1886-3066 | 1886-3067 | 1886-3066/001 | 1886-3066/002 | 1886-3066/003 |
| 1886-3068 | 1886-3069 | 1886-3068/001 | 1886-3068/002 | 1886-3068/003 |
| 1886-3071 | 1886-3072 | 1886-3071/001 | 1886-3071/002 | 1886-3071/003 |
| 1886-3073 | 1886-3074 | 1886-3073/001 | 1886-3073/002 | 1886-3073/003 |
| 1886-3075 | 1886-3076 | 1886-3075/001 | 1886-3075/002 | 1886-3075/003 |
| 1886-3077 | 1886-3078 | 1886-3077/001 | 1886-3077/002 | 1886-3077/003 |
| 1886-3079 | 1886-3081 | 1886-3079/001 | 1886-3079/002 | 1886-3079/003 |
| 1886-3082 | 1886-3083 | 1886-3082/001 | 1886-3082/002 | 1886-3082/003 |
| 1886-3084 | 1886-3085 | 1886-3084/001 | 1886-3084/002 | 1886-3084/003 |
| 1886-3086 | 1886-3087 | 1886-3086/001 | 1886-3086/002 | 1886-3086/003 |
| 1886-3088 | 1886-3089 | 1886-3088/001 | 1886-3088/002 | 1886-3088/003 |
| 1886-3091 | 1886-3092 | 1886-3091/001 | 1886-3091/002 | 1886-3091/003 |
| 1886-3093 | 1886-3094 | 1886-3093/001 | 1886-3093/002 | 1886-3093/003 |
| 1886-3095 | 1886-3096 | 1886-3095/001 | 1886-3095/002 | 1886-3095/003 |
| 1886-3097 | 1886-3098 | 1886-3097/001 | 1886-3097/002 | 1886-3097/003 |
| 1886-3099 | 1886-3101 | 1886-3099/001 | 1886-3099/002 | 1886-3099/003 |
| 1886-3102 | 1886-3103 | 1886-3102/001 | 1886-3102/002 | 1886-3102/003 |
| 1886-3104 | 1886-3105 | 1886-3104/001 | 1886-3104/002 | 1886-3104/003 |

Продолжение табл. 2

| Обозначения пресс-форм исполнений | | Поз. 1 Пуансон Кол. 1 | Поз. 2 Пуансон-матрица Кол. 1 для исп. 1 | Поз. 3 Матрица Кол. 1 |
|-----------------------------------|-----------|-----------------------------|---|-----------------------------|
| 1 | 2 | | | |
| Обозначения деталей | | | | |
| 1886-3106 | 1886-3107 | 1886-3106/001 | 1886-3106/002 | 1886-3106/003 |
| 1886-3108 | 1886-3109 | 1886-3108/001 | 1886-3108/002 | 1886-3108/003 |
| 1886-3111 | 1886-3112 | 1886-3111/001 | 1886-3111/002 | 1886-3111/003 |
| 1886-3113 | 1886-3114 | 1886-3113/001 | 1886-3113/002 | 1886-3113/003 |
| 1886-3115 | 1886-3116 | 1886-3115/001 | 1886-3115/002 | 1886-3115/003 |
| 1886-3117 | 1886-3118 | 1886-3117/001 | 1886-3117/002 | 1886-3117/003 |
| 1886-3119 | 1886-3121 | 1886-3119/001 | 1886-3119/002 | 1886-3119/003 |
| 1886-3122 | 1886-3123 | 1886-3122/001 | 1886-3122/002 | 1886-3122/003 |
| 1886-3124 | 1886-3125 | 1886-3124/001 | 1886-3124/002 | 1886-3124/003 |
| 1886-3126 | 1886-3127 | 1886-3126/001 | 1886-3126/002 | 1886-3126/003 |
| 1886-3128 | 1886-3129 | 1886-3128/001 | 1886-3128/002 | 1886-3128/003 |
| 1886-3131 | 1886-3132 | 1886-3131/001 | 1886-3131/002 | 1886-3131/003 |
| 1886-3133 | 1886-3134 | 1886-3133/001 | 1886-3133/002 | 1886-3133/003 |
| 1886-3135 | 1886-3136 | 1886-3135/001 | 1886-3135/002 | 1886-3135/003 |
| 1886-3137 | 1886-3138 | 1886-3137/001 | 1886-3137/002 | 1886-3137/003 |
| 1886-3139 | 1886-3141 | 1886-3139/001 | 1886-3139/002 | 1886-3139/003 |
| 1886-3142 | 1886-3143 | 1886-3142/001 | 1886-3142/002 | 1886-3142/003 |
| 1886-3144 | 1886-3145 | 1886-3144/001 | 1886-3144/002 | 1886-3144/003 |
| 1886-3146 | 1886-3147 | 1886-3146/001 | 1886-3146/002 | 1886-3146/003 |
| 1886-3148 | 1886-3149 | 1886-3148/001 | 1886-3148/002 | 1886-3148/003 |
| 1886-3151 | 1886-3152 | 1886-3151/001 | 1886-3151/002 | 1886-3151/003 |
| 1886-3153 | 1886-3154 | 1886-3153/001 | 1886-3153/002 | 1886-3153/003 |
| 1886-3155 | 1886-3156 | 1886-3155/001 | 1886-3155/002 | 1886-3155/003 |
| 1886-3157 | 1886-3158 | 1886-3157/001 | 1886-3157/002 | 1886-3157/003 |
| 1886-3159 | 1886-3161 | 1886-3159/001 | 1886-3159/002 | 1886-3159/003 |
| 1886-3162 | 1886-3163 | 1886-3162/001 | 1886-3162/002 | 1886-3162/003 |
| 1886-3164 | 1886-3165 | 1886-3164/001 | 1886-3164/002 | 1886-3164/003 |
| 1886-3166 | 1886-3167 | 1886-3166/001 | 1886-3166/002 | 1886-3166/003 |

Продолжение табл. 2

| Обозначения пресс-форм исполнений | | Поз. 1 Пуансон Кол. 1 | Поз. 2 Пуансон-матрица Кол. 1 для исп. 1 | Поз. 3 Матрица Кол. 1 |
|-----------------------------------|-----------|-----------------------------|---|-----------------------------|
| 1 | 2 | Обозначения деталей | | |
| 1886-3168 | 1886-3169 | 1886-3168/001 | 1886-3168/002 | 1886-3168/003 |
| 1886-3171 | 1886-3172 | 1886-3171/001 | 1886-3171/002 | 1886-3171/003 |
| 1886-3173 | 1886-3174 | 1886-3173/001 | 1886-3173/002 | 1886-3173/003 |
| 1886-3175 | 1886-3176 | 1886-3175/001 | 1886-3175/002 | 1886-3175/003 |
| 1886-3177 | 1886-3178 | 1886-3177/001 | 1886-3177/002 | 1886-3177/003 |
| 1886-3179 | 1886-3181 | 1886-3179/001 | 1886-3179/002 | 1886-3179/003 |
| 1886-3182 | 1886-3183 | 1886-3182/001 | 1886-3182/002 | 1886-3182/003 |
| 1886-3184 | 1886-3185 | 1886-3184/001 | 1886-3184/002 | 1886-3184/003 |
| 1886-3186 | 1886-3187 | 1886-3186/001 | 1886-3186/002 | 1886-3186/003 |
| 1886-3188 | 1886-3189 | 1886-3188/001 | 1886-3188/002 | 1886-3188/003 |
| 1886-3191 | 1886-3192 | 1886-3191/001 | 1886-3191/002 | 1886-3191/003 |
| 1886-3193 | 1886-3194 | 1886-3193/001 | 1886-3193/002 | 1886-3193/003 |
| 1886-3195 | 1886-3196 | 1886-3195/001 | 1886-3195/002 | 1886-3195/003 |
| 1886-3197 | 1886-3198 | 1886-3197/001 | 1886-3197/002 | 1886-3197/003 |
| 1886-3199 | 1886-3201 | 1886-3199/001 | 1886-3199/002 | 1886-3199/003 |
| 1886-3202 | 1886-3203 | 1886-3202/001 | 1886-3202/002 | 1886-3202/003 |
| 1886-3204 | 1886-3205 | 1886-3204/001 | 1886-3204/002 | 1886-3204/003 |
| 1886-3206 | 1886-3207 | 1886-3206/001 | 1886-3206/002 | 1886-3206/003 |
| 1886-3208 | 1886-3209 | 1886-3208/001 | 1886-3208/002 | 1886-3208/003 |
| 1886-3211 | 1886-3212 | 1886-3211/001 | 1886-3211/002 | 1886-3211/003 |
| 1886-3213 | 1886-3214 | 1886-3213/001 | 1886-3213/002 | 1886-3213/003 |
| 1886-3215 | 1886-3216 | 1886-3215/001 | 1886-3215/002 | 1886-3215/003 |
| 1886-3217 | 1886-3218 | 1886-3217/001 | 1886-3217/002 | 1886-3217/003 |
| 1886-3219 | 1886-3221 | 1886-3219/001 | 1886-3219/002 | 1886-3219/003 |
| 1886-3222 | 1886-3223 | 1886-3222/001 | 1886-3222/002 | 1886-3222/003 |
| 1886-3224 | 1886-3225 | 1886-3224/001 | 1886-3224/002 | 1886-3224/003 |
| 1886-3226 | 1886-3227 | 1886-3226/001 | 1886-3226/002 | 1886-3226/003 |
| 1886-3228 | 1886-3229 | 1886-3228/001 | 1886-3228/002 | 1886-3228/003 |

Продолжение табл. 2

| Обозначения пресс-форм исполнений | | Поз. 1 Пуансон Кол. 1 | Поз. 2 Пуансон-матрица Кол. 1 для исп. 1 | Поз. 3 Матрица Кол. 1 |
|-----------------------------------|-----------|-----------------------------|---|-----------------------------|
| 1 | 2 | Обозначения деталей | | |
| 1886-3231 | 1886-3232 | 1886-3231/001 | 1886-3231/002 | 1886-3231/003 |
| 1886-3233 | 1886-3234 | 1886-3233/001 | 1886-3233/002 | 1886-3233/003 |
| 1886-3235 | 1886-3236 | 1886-3235/001 | 1886-3235/002 | 1886-3235/003 |
| 1886-3237 | 1886-3238 | 1886-3237/001 | 1886-3237/002 | 1886-3237/003 |
| 1886-3239 | 1886-3241 | 1886-3239/001 | 1886-3239/002 | 1886-3239/003 |
| 1886-3242 | 1886-3243 | 1886-3242/001 | 1886-3242/002 | 1886-3242/003 |
| 1886-3244 | 1886-3245 | 1886-3244/001 | 1886-3244/002 | 1886-3244/003 |
| 1886-3246 | 1886-3247 | 1886-3246/001 | 1886-3246/002 | 1886-3246/003 |
| 1886-3248 | 1886-3249 | 1886-3248/001 | 1886-3248/002 | 1886-3248/003 |
| 1886-3251 | 1886-3252 | 1886-3251/001 | 1886-3251/002 | 1886-3251/003 |
| 1886-3253 | 1886-3254 | 1886-3253/001 | 1886-3253/002 | 1886-3253/003 |
| 1886-3255 | 1886-3256 | 1886-3255/001 | 1886-3255/002 | 1886-3255/003 |
| 1886-3257 | 1886-3258 | 1886-3257/001 | 1886-3257/002 | 1886-3257/003 |
| 1886-3259 | 1886-3261 | 1886-3259/001 | 1886-3259/002 | 1886-3259/003 |
| 1886-3262 | 1886-3263 | 1886-3262/001 | 1886-3262/002 | 1886-3262/003 |
| 1886-3264 | 1886-3265 | 1886-3264/001 | 1886-3264/002 | 1886-3264/003 |
| 1886-3266 | 1886-3267 | 1886-3266/001 | 1886-3266/002 | 1886-3266/003 |
| 1886-3268 | 1886-3269 | 1886-3268/001 | 1886-3268/002 | 1886-3268/003 |
| 1886-3271 | 1886-3272 | 1886-3271/001 | 1886-3271/002 | 1886-3271/003 |
| 1886-3273 | 1886-3274 | 1886-3273/001 | 1886-3273/002 | 1886-3273/003 |
| 1886-3275 | 1886-3276 | 1886-3275/001 | 1886-3275/002 | 1886-3275/003 |
| 1886-3277 | 1886-3278 | 1886-3277/001 | 1886-3277/002 | 1886-3277/003 |
| 1886-3279 | 1886-3281 | 1886-3279/001 | 1886-3279/002 | 1886-3279/003 |
| 1886-3282 | 1886-3283 | 1886-3282/001 | 1886-3282/002 | 1886-3282/003 |
| 1886-3284 | 1886-3285 | 1886-3284/001 | 1886-3284/002 | 1886-3284/003 |
| 1886-3286 | 1886-3287 | 1886-3286/001 | 1886-3286/002 | 1886-3286/003 |
| 1886-3288 | 1886-3289 | 1886-3288/001 | 1886-3288/002 | 1886-3288/003 |
| 1886-3291 | 1886-3292 | 1886-3291/001 | 1886-3291/002 | 1886-3291/003 |

| Обозначения пресс-форм исполнений | | Поз. 1 Пуансон Кол. 1 | Поз. 2 Пуансон-матрица Кол. 1 для исп. 1 | Поз. 3 Матрица Кол. 1 |
|-----------------------------------|-----------|-----------------------------|---|-----------------------------|
| 1 | 2 | Обозначения деталей | | |
| 1886-3293 | 1886-3294 | 1886-3293/001 | 1886-3293/002 | 1886-3293/003 |
| 1886-3295 | 1886-3296 | 1886-3295/001 | 1886-3295/002 | 1886-3295/003 |
| 1886-3297 | 1886-3298 | 1886-3297/001 | 1886-3297/002 | 1886-3297/003 |
| 1886-3299 | 1886-3301 | 1886-3299/001 | 1886-3299/002 | 1886-3299/003 |
| 1886-3302 | 1886-3303 | 1886-3302/001 | 1886-3302/002 | 1886-3302/003 |
| 1886-3304 | 1886-3305 | 1886-3304/001 | 1886-3304/002 | 1886-3304/003 |
| 1886-3306 | 1886-3307 | 1886-3306/001 | 1886-3306/002 | 1886-3306/003 |
| 1886-3308 | 1886-3309 | 1886-3308/001 | 1886-3308/002 | 1886-3308/003 |
| 1886-3311 | 1886-3312 | 1886-3311/001 | 1886-3311/002 | 1886-3311/003 |
| 1886-3313 | 1886-3314 | 1886-3313/001 | 1886-3313/002 | 1886-3313/003 |
| 1886-3315 | 1886-3316 | 1886-3315/001 | 1886-3315/002 | 1886-3315/003 |
| 1886-3317 | 1886-3318 | 1886-3317/001 | 1886-3317/002 | 1886-3317/003 |

3. Ручки должны быть приварены к матрице ручной электродуговой сваркой.

4. На боковых поверхностях формообразующих деталей допускаются отверстия под термомолару диаметром 4÷5 мм и глубиной 25÷30 мм.

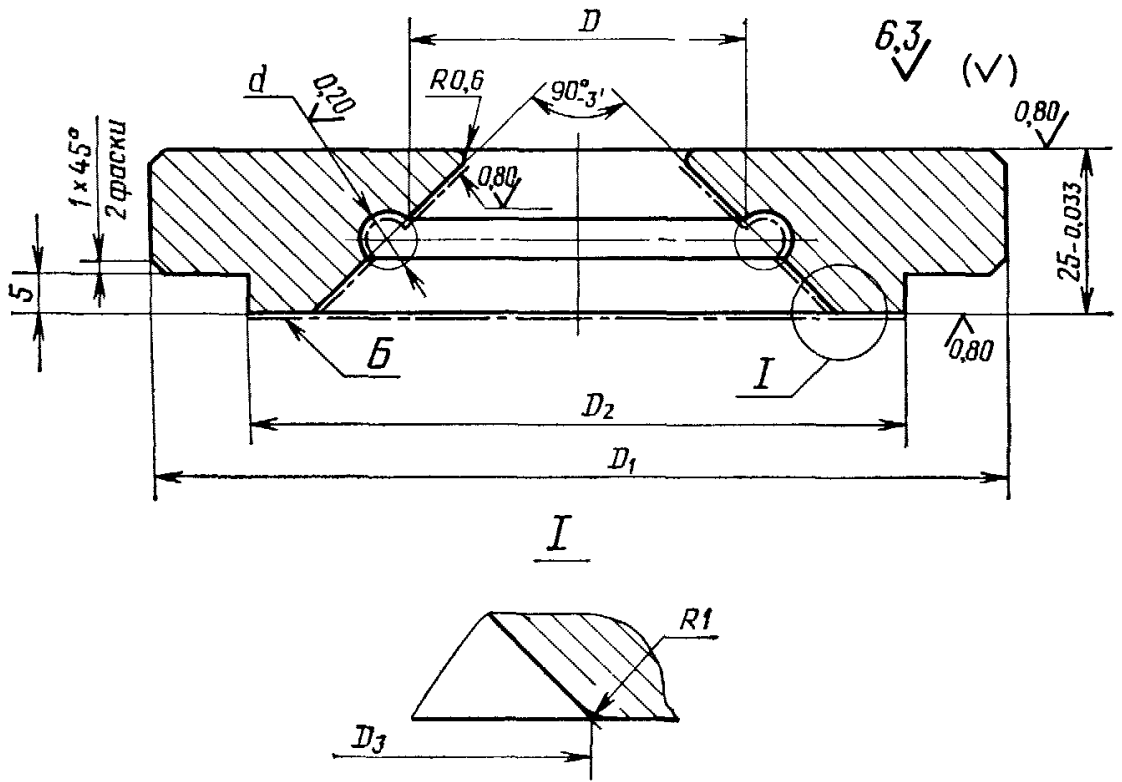
5. Маркировать:

на матрице — условное обозначение пресс-формы (без слова «пресс-форма»), порядковый номер и массу пресс-формы, наименование или товарный знак предприятия-изготовителя.

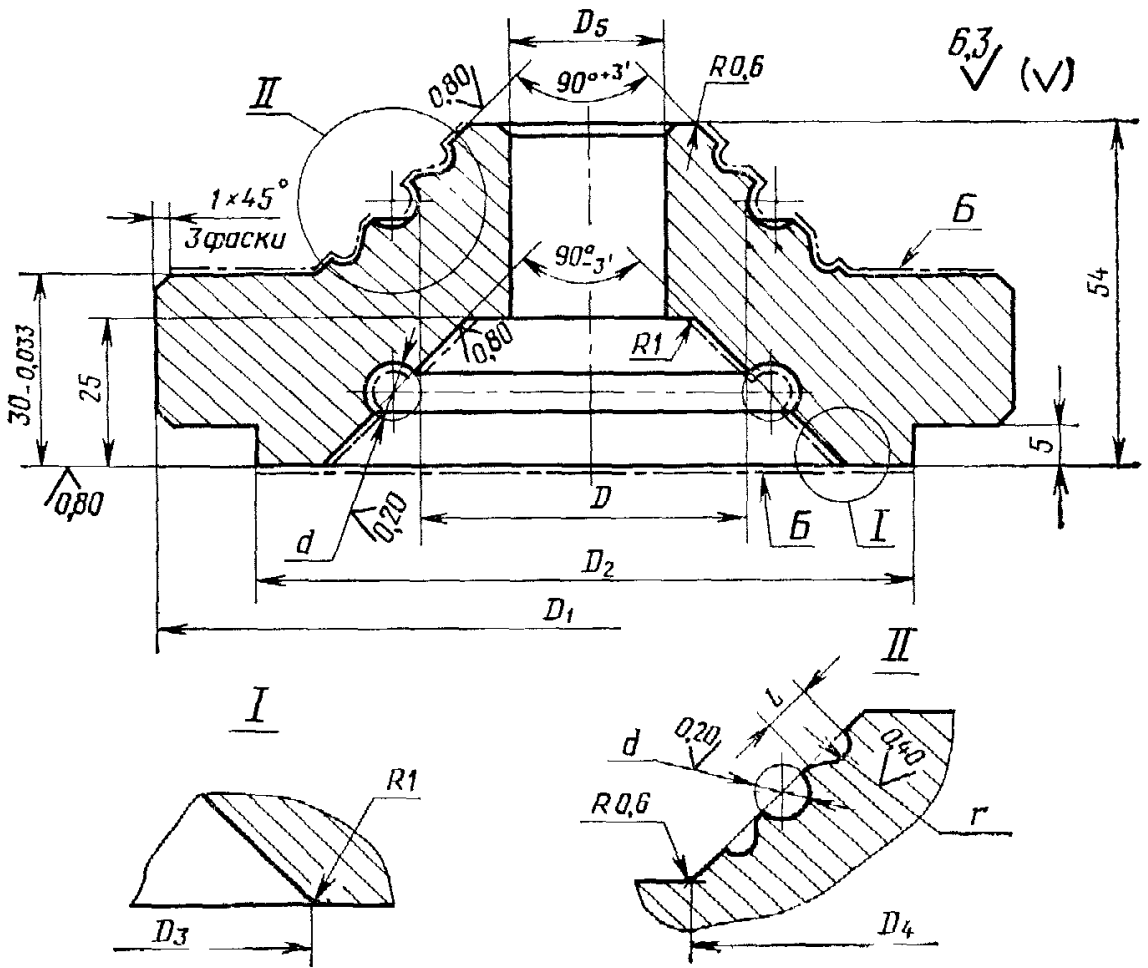
на пуансоне и пуансон-матрице — условное обозначение пресс-формы (без слова «пресс-форма» и без наименования стандарта), порядковый номер пресс-формы. В пресс-форме исполнения 1 на нижней пуансон-матрице дополнительно маркировать цифру 2, на верхней пуансон-матрице — цифру 3.

6. Технические требования — по ГОСТ 14901—79.

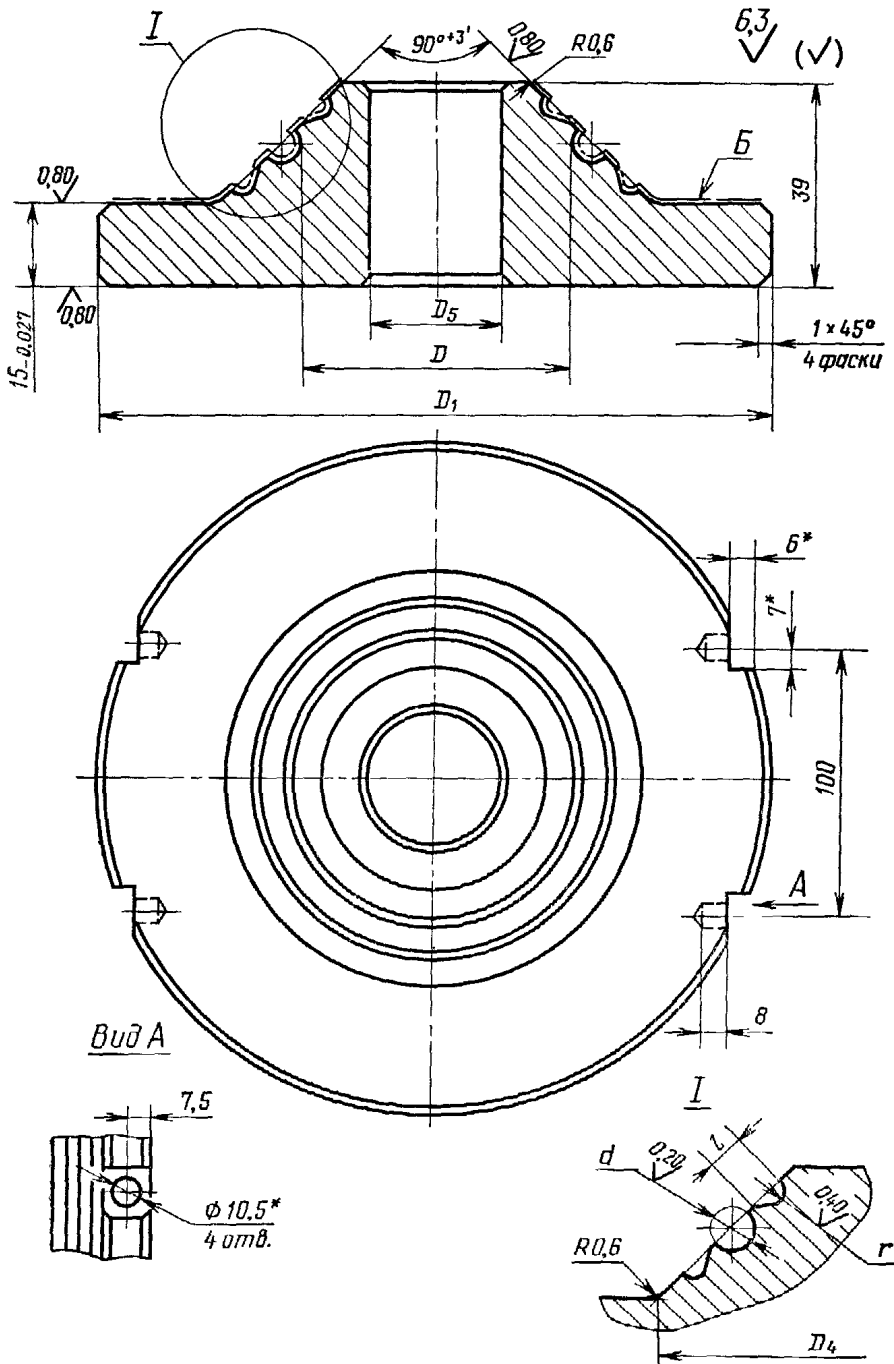
7. Конструкция и размеры пуансонов должны соответствовать указанным на черт. 2 и в табл. 3, пуансон-матриц — указанным на черт. 3 и в табл. 3, матриц — указанным на черт. 4 и в табл. 3.



Черт. 2



Черт. 3



* Отверстия и лыски в матрице диаметром D_1 до 240 мм не изготавливать

Черт. 4

Размеры, мм

| Обозначения | | | Резиновое кольцо | | D_1 | D_2 | D_3 (поле допуска Н7) D_4 (поле допуска h6) | | D_5 | Масса, кг, не более | | |
|---------------|-----------------|---------------|------------------|-------|-------|-------|--|----------------|-------|---------------------|-----------------|---------|
| пуансона | пуансон матрицы | матрицы | d_1 | d_2 | | | при усадке резины, % | | | пуансона | пуансон-матрицы | матрицы |
| | | | | | | | от 0,9 до 2,7 | св. 2,7 до 4,7 | | | | |
| 1886-2671/001 | 1886-2671/002 | 1886-2671/003 | 61,0 | 2,5 | 150 | 120 | 95 | 95 | 25 | 2,42 | 3,79 | 2,72 |
| 1886-2673/001 | 1886-2673/002 | 1886-2673/003 | 62,5 | | | | | | | | | |
| 1886-2675/001 | 1886-2675/002 | 1886-2675/003 | 63,5 | | | | | | | | | |
| 1886-2677/001 | 1886-2677/002 | 1886-2677/003 | 66,5 | | | | | | | | | |
| 1886-2679/001 | 1886-2679/002 | 1886-2679/003 | 68,5 | | | | | | | | | |
| 1886-2682/001 | 1886-2682/002 | 1886-2682/003 | 70,5 | | | | | | | | | |
| 1886-2684/001 | 1886-2684/002 | 1886-2684/003 | 73,5 | | 160 | 130 | 105 | 105 | 35 | 2,66 | 4,24 | 3,10 |
| 1886-2686/001 | 1886-2686/002 | 1886-2686/003 | 76,5 | | | | | | | | | |
| 1886-2688/001 | 1886-2688/002 | 1886-2688/003 | 78,5 | | | | | | | | | |
| 1886-2691/001 | 1886-2691/002 | 1886-2691/003 | 80,5 | | | | | | | | | |
| 1886-2693/001 | 1886-2693/002 | 1886-2693/003 | 83,5 | | | | | | | | | |
| 1886-2695/001 | 1886-2695/002 | 1886-2695/003 | 86,5 | | | | | | | | | |
| 1886-2697/001 | 1886-2697/002 | 1886-2697/003 | 88,5 | | 170 | 140 | 115 | 115 | 45 | 2,88 | 4,68 | 3,46 |
| 1886-2699/001 | 1886-2699/002 | 1886-2699/003 | 90,5 | | | | | | | | | |
| 1886-2702/001 | 1886-2702/002 | 1886-2702/003 | 93,0 | | | | | | | | | |
| 1886-2704/001 | 1886-2704/002 | 1886-2704/003 | 96,0 | | 180 | 150 | 125 | 125 | 55 | 3,21 | 5,12 | 3,73 |
| 1886-2706/001 | 1886-2706/002 | 1886-2706/003 | 98,0 | | | | | | | | | |
| 1886-2708/001 | 1886-2708/002 | 1886-2708/003 | 100,0 | | | | | | | | | |

Размеры, мм

| Обозначения | | | Резиновое кольцо | | D_1 | D_2 | D_3 (поле допуска Н7) D_4 (поле допуска h6) | | D_4 | Масса, кг, не более | | |
|---------------|-----------------|---------------|------------------|-------|-------|-------|--|----------------|-------|---------------------|-----------------|---------|
| паянсона | паянсон-матрицы | матрицы | d_1 | d_2 | | | при усадке резины, % | | | паянсона | паянсон-матрицы | матрицы |
| | | | | | | | от 0,9 до 2,7 | св. 2,7 до 4,7 | | | | |
| 1886-2711/001 | 1886-2711/002 | 1886-2711/003 | 103,0 | 2,5 | 190 | 160 | 135 | 135 | 65 | 3,34 | 5,57 | 4,21 |
| 1886-2713/001 | 1886-2713/002 | 1886-2713/003 | 106,0 | | | | | | | | | |
| 1886-2715/001 | 1886-2715/002 | 1886-2715/003 | 108,0 | | | | | | | | | |
| 1886-2717/001 | 1886-2717/002 | 1886-2717/003 | 110,0 | | | | | | | | | |
| 1886-2719/001 | 1886-2719/002 | 1886-2719/003 | 113,0 | | | | | | | | | |
| 1886-2722/001 | 1886-2722/002 | 1886-2722/003 | 116,0 | | 200 | 170 | 145 | 145 | 75 | 3,57 | 6,02 | 4,60 |
| 1886-2724/001 | 1886-2724/002 | 1886-2724/003 | 118,0 | | | | | | | | | |
| 1886-2726/001 | 1886-2726/002 | 1886-2726/003 | 120,0 | | | | | | | | | |
| 1886-2728/001 | 1886-2728/002 | 1886-2728/003 | 122,5 | | 210 | 180 | 155 | 155 | 85 | 3,80 | 6,46 | 4,98 |
| 1886-2731/001 | 1886-2731/002 | 1886-2731/003 | 127,5 | | | | | | | | | |
| 1886-2733/001 | 1886-2733/002 | 1886-2733/003 | 132,5 | | | | | | | | | |
| 1886-2735/001 | 1886-2735/002 | 1886-2735/003 | 137,5 | 220 | 190 | 165 | 165 | 95 | 4,03 | 6,90 | 5,36 | |
| 1886-2737/001 | 1886-2737/002 | 1886-2737/003 | 142,5 | | | | | | | | | |
| 1886-2739/001 | 1886-2739/002 | 1886-2739/003 | 147,5 | | | | | | | | | |
| 1886-2742/001 | 1886-2742/002 | 1886-2742/003 | 62,0 | 3,0 | 150 | 120 | 95 | 95 | 25 | 2,42 | 3,79 | 2,72 |
| 1886-2744/001 | 1886-2744/002 | 1886-2744/003 | 63,5 | | | | | | | | | |
| 1886-2746/001 | 1886-2746/002 | 1886-2746/003 | 64,5 | | | | | | | | | |
| 1886-2748/001 | 1886-2748/002 | 1886-2748/003 | 68,5 | | | | | | | | | |

| Обозначения | | | Резиновое кольцо | | D_1 | D_3 | D_5 (поле допуска Н7) D_4 (поле допуска h6) | | D_5 | Масса, кг, не более | | |
|---------------|-----------------|---------------|------------------|-------|-------|-------|--|----------------|-------|---------------------|-----------------|---------|
| пуансона | пуансон-матрицы | матрицы | d_1 | d_2 | | | при усадке резины, % | | | пуансона | пуансон-матрицы | матрицы |
| | | | | | | | от 0,9 до 2,7 | св. 2,7 до 4,7 | | | | |
| 1886-2751/001 | 1886-2751/002 | 1886-2751/003 | 69,5 | 3,0 | 150 | 120 | 95 | 95 | 25 | 2,42 | 3,79 | 2,72 |
| 1886-2753/001 | 1886-2753/002 | 1886-2753/003 | 73,5 | | | | | | | | | |
| 1886-2755/001 | 1886-2755/002 | 1886-2755/003 | 78,5 | | | | | | | | | |
| 1886-2757/001 | 1886-2757/002 | 1886-2757/003 | 80,5 | | 160 | 130 | 105 | 105 | 35 | 2,66 | 4,24 | 3,10 |
| 1886-2759/001 | 1886-2759/002 | 1886-2759/003 | 83,5 | | | | | | | | | |
| 1886-2762/001 | 1886-2762/002 | 1886-2762/003 | 85,5 | | | | | | | | | |
| 1886-2764/001 | 1886-2764/002 | 1886-2764/003 | 88,5 | | 170 | 140 | 115 | 115 | 45 | 2,88 | 4,68 | 3,46 |
| 1886-2766/001 | 1886-2766/002 | 1886-2766/003 | 90,5 | | | | | | | | | |
| 1886-2768/001 | 1886-2768/002 | 1886-2768/003 | 93,5 | | | | | | | | | |
| 1886-2771/001 | 1886-2771/002 | 1886-2771/003 | 95,0 | | 180 | 150 | 125 | 125 | 55 | 3,21 | 5,12 | 3,73 |
| 1886-2773/001 | 1886-2773/002 | 1886-2773/003 | 98,0 | | | | | | | | | |
| 1886-2775/001 | 1886-2775/002 | 1886-2775/003 | 100,0 | | | | | | | | | |
| 1886-2777/001 | 1886-2777/002 | 1886-2777/003 | 103,0 | | 190 | 160 | 135 | 135 | 65 | 3,34 | 5,57 | 4,21 |
| 1886-2779/001 | 1886-2779/002 | 1886-2779/003 | 105,0 | | | | | | | | | |
| 1886-2782/001 | 1886-2782/002 | 1886-2782/003 | 108,0 | | | | | | | | | |
| 1886-2784/001 | 1886-2784/002 | 1886-2784/003 | 110,0 | | 200 | 170 | 145 | 145 | 75 | 3,57 | 6,02 | 4,60 |
| 1886-2786/001 | 1886-2786/002 | 1886-2786/003 | 113,0 | | | | | | | | | |
| 1886-2788/001 | 1886-2788/002 | 1886-2788/003 | 118,0 | | | | | | | | | |

Размеры, мм

| Обозначения | | | Резиновое кольцо | | D_1 | D_2 | D_3 (поле допуска Н7) D_4 (поле допуска h6) | | D_5 | Масса, кг, не более | | | |
|---------------|-----------------|---------------|------------------|-------|-------|-------|--|----------------|-------|---------------------|----------|-----------------|---------|
| пуансона | пуансон-матрицы | матрицы | d_1 | d_2 | | | при усадке резины, % | | | D_6 | пуансона | пуансон-матрицы | матрицы |
| | | | | | | | от 0,9 до 2,7 | св. 2,7 до 4,7 | | | | | |
| 1886-2791/001 | 1886-2791/002 | 1886-2791/003 | 122,5 | 3,0 | 210 | 180 | 155 | 155 | 85 | 3,80 | 6,46 | 4,98 | |
| 1886-2793/001 | 1886-2793/002 | 1886-2793/003 | 127,5 | | | | | | | | | | |
| 1886-2795/001 | 1886-2795/002 | 1886-2795/003 | 132,5 | | | | | | | | | | |
| 1886-2797/001 | 1886-2797/002 | 1886-2797/003 | 137,5 | | | | | | | | | | |
| 1886-2799/001 | 1886-2799/002 | 1886-2799/003 | 142,5 | | | | | | | | | | |
| 1886-2802/001 | 1886-2802/002 | 1886-2802/003 | 147,5 | 3,6 | 220 | 190 | 165 | 165 | 95 | 4,03 | 6,90 | 5,36 | |
| 1886-2804/001 | 1886-2804/002 | 1886-2804/003 | 61,0 | | | | | | | | | | |
| 1886-2806/001 | 1886-2806/002 | 1886-2806/003 | 62,0 | | | | | | | | | | |
| 1886-2808/001 | 1886-2808/002 | 1886-2808/003 | 62,5 | | | | | | | | | | |
| 1886-2811/001 | 1886-2811/002 | 1886-2811/003 | 63,5 | | | | | | | | | | |
| 1886-2813/001 | 1886-2813/002 | 1886-2813/003 | 64,5 | 3,6 | 150 | 120 | 95 | 95 | 25 | 2,42 | 3,79 | 2,72 | |
| 1886-2815/001 | 1886-2815/002 | 1886-2815/003 | 66,5 | | | | | | | | | | |
| 1886-2817/001 | 1886-2817/002 | 1886-2817/003 | 67,5 | | | | | | | | | | |
| 1886-2819/001 | 1886-2819/002 | 1886-2819/003 | 68,5 | | | | | | | | | | |
| 1886-2822/001 | 1886-2822/002 | 1886-2822/003 | 69,5 | | | | | | | | | | |
| 1886-2824/001 | 1886-2824/002 | 1886-2824/003 | 70,5 | 3,6 | 160 | 130 | 105 | 105 | 35 | 2,66 | 4,24 | 3,10 | |
| 1886-2826/001 | 1886-2826/002 | 1886-2826/003 | 72,5 | | | | | | | | | | |
| 1886-2828/001 | 1886-2828/002 | 1886-2828/003 | 73,5 | | | | | | | | | | |

Размеры, мм

| Обозначения | | | Резиновое кольцо | | D_1 | D_2 | D_3 (поле допуска H7) D_4 (поле допуска h6) | | D_5 | Масса, кг, не более | | |
|---------------|-----------------|---------------|------------------|-------|-------|-------|--|----------------|-------|---------------------|-----------------|---------|
| пуансона | пуансон-матрицы | матрицы | d_1 | d_2 | | | при усадке резины, % | | | пуансона | пуансон-матрицы | матрицы |
| | | | | | | | от 0,9 до 2,7 | св. 2,7 до 4,7 | | | | |
| 1886-2831/001 | 1886-2831/002 | 1886-2831/003 | 74,5 | 3,6 | 160 | 130 | 105 | 105 | 35 | 2,66 | 4,24 | 3,10 |
| 1886-2833/001 | 1886-2833/002 | 1886-2833/003 | 76,5 | | | | | | | | | |
| 1886-2835/001 | 1886-2835/002 | 1886-2835/003 | 77,5 | | | | | | | | | |
| 1886-2837/001 | 1886-2837/002 | 1886-2837/003 | 78,5 | | | | | | | | | |
| 1886-2839/001 | 1886-2839/002 | 1886-2839/003 | 80,5 | | | | | | | | | |
| 1886-2842/001 | 1886-2842/002 | 1886-2842/003 | 82,5 | | | | | | | | | |
| 1886-2844/001 | 1886-2844/002 | 1886-2844/003 | 83,5 | | 170 | 140 | 115 | 115 | 45 | 2,88 | 4,68 | 3,46 |
| 1886-2846/001 | 1886-2846/002 | 1886-2846/003 | 84,5 | | | | | | | | | |
| 1886-2848/001 | 1886-2848/002 | 1886-2848/003 | 86,5 | | | | | | | | | |
| 1886-2851/001 | 1886-2851/002 | 1886-2851/003 | 87,5 | | | | | | | | | |
| 1886-2853/001 | 1886-2853/002 | 1886-2853/003 | 88,5 | | | | | | | | | |
| 1886-2855/001 | 1886-2855/002 | 1886-2855/003 | 90,5 | | | | | | | | | |
| 1886-2857/001 | 1886-2857/002 | 1886-2857/003 | 92,0 | | 180 | 150 | 125 | 125 | 55 | 3,21 | 5,12 | 3,73 |
| 1886-2859/001 | 1886-2859/002 | 1886-2859/003 | 93,0 | | | | | | | | | |
| 1886-2862/001 | 1886-2862/002 | 1886-2862/003 | 94,0 | | | | | | | | | |
| 1886-2864/001 | 1886-2864/002 | 1886-2864/003 | 96,0 | | | | | | | | | |
| 1886-2866/001 | 1886-2866/002 | 1886-2866/003 | 97,0 | | | | | | | | | |
| 1886-2868/001 | 1886-2868/002 | 1886-2868/003 | 98,0 | | | | | | | | | |

Размеры, мм

| Обозначения | | | Резиновое кольцо | | D_1 | D_2 | D_3 (поле допуска Н7) D_4 (поле допуска h6) | | D_5 | Масса, кг, не более | | | | | | | | | |
|---------------|-----------------|---------------|------------------|-------|-------|-------|--|----------------|-------|---------------------|-----------------|---------|-----|-----|-----|-----|------|------|------|
| пуансона | пуансон-матрицы | матрицы | d_1 | d_2 | | | при усадке резины, % | | | пуансона | пуансон-матрицы | матрицы | | | | | | | |
| | | | | | | | от 0,9 до 2,7 | св. 2,7 до 4,7 | | | | | | | | | | | |
| 1886-2871/001 | 1886-2871/002 | 1886-2871/003 | 100,0 | 3,6 | 190 | 160 | 135 | 135 | 65 | 3,34 | 5,57 | 4,21 | | | | | | | |
| 1886-2873/001 | 1886-2873/002 | 1886-2873/003 | 102,0 | | | | | | | | | | | | | | | | |
| 1886-2875/001 | 1886-2875/002 | 1886-2875/003 | 103,0 | | | | | | | | | | | | | | | | |
| 1886-2877/001 | 1886-2877/002 | 1886-2877/003 | 104,0 | | | | | | | | | | | | | | | | |
| 1886-2879/001 | 1886-2879/002 | 1886-2879/003 | 106,0 | | | | | | | | | | | | | | | | |
| 1886-2882/001 | 1886-2882/002 | 1886-2882/003 | 107,0 | | | | | | | | | | | | | | | | |
| 1886-2884/001 | 1886-2884/002 | 1886-2884/003 | 108,0 | | | | | | | | | | | | | | | | |
| 1886-2886/001 | 1886-2886/002 | 1886-2886/003 | 110,0 | | | | | | | | | | | | | | | | |
| 1886-2888/001 | 1886-2888/002 | 1886-2888/003 | 112,0 | | | | | | | | | | | | | | | | |
| 1886-2891/001 | 1886-2891/002 | 1886-2891/003 | 113,0 | | | | | | | | | | 200 | 170 | 145 | 145 | 75 | 3,57 | 6,02 |
| 1886-2893/001 | 1886-2893/002 | 1886-2893/003 | 116,0 | | | | | | | | | | | | | | | | |
| 1886-2895/001 | 1886-2895/002 | 1886-2895/003 | 118,0 | | | | | | | | | | | | | | | | |
| 1886-2897/001 | 1886-2897/002 | 1886-2897/003 | 121,5 | | | | | | | | | | | | | | | | |
| 1886-2899/001 | 1886-2899/002 | 1886-2899/003 | 126,5 | | | | | | | | | | | | | | | | |
| 1886-2902/001 | 1886-2902/002 | 1886-2902/003 | 131,5 | | | | | | | | | | | | | | | | |
| 1886-2904/001 | 1886-2904/002 | 1886-2904/003 | 136,5 | | | | | | | | | | | | | | | | |
| 1886-2906/001 | 1886-2906/002 | 1886-2906/003 | 141,5 | | | | | | | | | | | | | | | | |
| 1886-2908/001 | 1886-2908/002 | 1886-2908/003 | 146,5 | 220 | 190 | 165 | 165 | 85 | 3,80 | 6,46 | 4,98 | | | | | | | | |
| 1886-2906/001 | 1886-2906/002 | 1886-2906/003 | 141,5 | | | | | | | | | | | | | | | | |
| 1886-2908/001 | 1886-2908/002 | 1886-2908/003 | 146,5 | | | | | | | | | | | | | | | | |
| 1886-2906/001 | 1886-2906/002 | 1886-2906/003 | 141,5 | | | | | | | | | | | | | | | | |
| 1886-2908/001 | 1886-2908/002 | 1886-2908/003 | 146,5 | | | | | | | | | | | | | | | | |
| 1886-2906/001 | 1886-2906/002 | 1886-2906/003 | 141,5 | | | | | | | | | | | | | | | | |
| 1886-2908/001 | 1886-2908/002 | 1886-2908/003 | 146,5 | | | | | | | | | | | | | | | | |
| 1886-2906/001 | 1886-2906/002 | 1886-2906/003 | 141,5 | | | | | | | | | | | | | | | | |
| 1886-2908/001 | 1886-2908/002 | 1886-2908/003 | 146,5 | | | | | | | | | | | | | | | | |
| 1886-2906/001 | 1886-2906/002 | 1886-2906/003 | 141,5 | | | | | | | | | 230 | 200 | 175 | 175 | 105 | 4,26 | 7,34 | 5,74 |
| 1886-2908/001 | 1886-2908/002 | 1886-2908/003 | 146,5 | | | | | | | | | | | | | | | | |
| 1886-2906/001 | 1886-2906/002 | 1886-2906/003 | 141,5 | | | | | | | | | | | | | | | | |
| 1886-2908/001 | 1886-2908/002 | 1886-2908/003 | 146,5 | | | | | | | | | | | | | | | | |
| 1886-2906/001 | 1886-2906/002 | 1886-2906/003 | 141,5 | | | | | | | | | | | | | | | | |
| 1886-2908/001 | 1886-2908/002 | 1886-2908/003 | 146,5 | | | | | | | | | | | | | | | | |
| 1886-2906/001 | 1886-2906/002 | 1886-2906/003 | 141,5 | | | | | | | | | | | | | | | | |
| 1886-2908/001 | 1886-2908/002 | 1886-2908/003 | 146,5 | | | | | | | | | | | | | | | | |
| 1886-2906/001 | 1886-2906/002 | 1886-2906/003 | 141,5 | | | | | | | | | | | | | | | | |
| 1886-2908/001 | 1886-2908/002 | 1886-2908/003 | 146,5 | | | | | | | | | | | | | | | | |

Размеры, мм

Продолжение табл. 3

| Обозначения | | | Резиновое кольцо | | D_1 | D_2 | D_3 (поле допуска Н7) D_4 (поле допуска h6) | | D_5 | Масса, кг, не более | | | | | | | | |
|---------------|-----------------|---------------|------------------|-------|-------|-------|--|----------------|-------|---------------------|-----------------|---------|-----|-----|-----|------|-------|------|
| пуансона | пуансон-матрицы | матрицы | d_1 | d_2 | | | при усадке резины, % | | | пуансона | пуансон-матрицы | матрицы | | | | | | |
| | | | | | | | от 0,9 до 2,7 | св. 2,7 до 4,7 | | | | | | | | | | |
| 1886-2911/001 | 1886-2911/002 | 1886-2911/003 | 151,0 | 3,6 | 240 | 210 | 185 | 185 | 115 | 4,48 | 7,79 | 6,13 | | | | | | |
| 1886-2913/001 | 1886-2913/002 | 1886-2913/003 | 156,0 | | | | 250 | 220 | | | | | 195 | 195 | 125 | 4,71 | 8,23 | 6,50 |
| 1886-2915/001 | 1886-2915/002 | 1886-2915/003 | 161,0 | | | | | | | | | | | | | | | |
| 1886-2917/001 | 1886-2917/002 | 1886-2917/003 | 166,0 | | | | 270 | 240 | | | | | 215 | 215 | 145 | 5,17 | 9,13 | 7,27 |
| 1886-2919/001 | 1886-2919/002 | 1886-2919/003 | 171,0 | | 280 | 250 | | | 225 | 225 | 155 | 5,40 | | | | | | |
| 1886-2922/001 | 1886-2922/002 | 1886-2922/003 | 176,0 | | | | 290 | 260 | | | | | 235 | 235 | 165 | 5,62 | 10,00 | 8,06 |
| 1886-2924/001 | 1886-2924/002 | 1886-2924/003 | 181,0 | | 300 | 270 | | | 245 | 245 | 175 | 5,85 | | | | | | |
| 1886-2926/001 | 1886-2926/002 | 1886-2926/003 | 186,0 | | | | 310 | 280 | | | | | 255 | 255 | 185 | 6,09 | 10,90 | 8,84 |
| 1886-2928/001 | 1886-2928/002 | 1886-2928/003 | 191,5 | | 320 | 290 | | | 265 | 265 | 195 | 6,32 | | | | | | |
| 1886-2931/001 | 1886-2931/002 | 1886-2931/003 | 195,5 | | | | | | | | | | | | | | | |
| 1886-2933/001 | 1886-2933/002 | 1886-2933/003 | 200,5 | | | | | | | | | | | | | | | |
| 1886-2935/001 | 1886-2935/002 | 1886-2935/003 | 205,5 | | | | | | | | | | | | | | | |
| 1886-2937/001 | 1886-2937/002 | 1886-2937/003 | 210,5 | | | | | | | | | | | | | | | |
| 1886-2939/001 | 1886-2939/002 | 1886-2939/003 | 216,0 | | | | | | | | | | | | | | | |
| 1886-2942/001 | 1886-2942/002 | 1886-2942/003 | 220,0 | | | | | | | | | | | | | | | |
| 1886-2944/001 | 1886-2944/002 | 1886-2944/003 | 225,0 | | | | | | | | | | | | | | | |
| 1886-2946/001 | 1886-2946/002 | 1885-2946/003 | 230,0 | | | | | | | | | | | | | | | |
| 1886-2948/001 | 1886-2948/002 | 1886-2948/003 | 235,0 | | | | | | | | | | | | | | | |

Размеры, мм

| Обозначения | | | Резиновое кольцо | | D_1 | D_2 | D_3 (поле допуска H7) D_4 (поле допуска h6) | | D_4 | Масса, кг, не более | | | |
|---------------|-----------------|---------------|------------------|-------|-------|-------|--|----------------|-------|---------------------|-----------------|---------|--|
| пуансона | пуансон-матрицы | матрицы | d_1 | d_2 | | | при усадке резины, % | | | пуансона | пуансон-матрицы | матрицы | |
| | | | | | | | от 0,9 до 2,7 | св. 2,7 до 4,7 | | | | | |
| 1886-2951/001 | 1886-2951/002 | 1886-2951/003 | 240,0 | 3,6 | 330 | 300 | 275 | 275 | 205 | 6,54 | 11,78 | 9,63 | |
| 1886-2953/001 | 1886-2953/002 | 1886-2953/003 | 245,5 | | | | 280 | 280 | | 6,15 | | 10,02 | |
| 1886-2955/001 | 1886-2955/002 | 1886-2955/003 | 61,0 | | | | | | | | | | |
| 1886-2957/001 | 1886-2957/002 | 1886-2957/003 | 62,0 | | | | | | | | | | |
| 1886-2959/001 | 1886-2959/002 | 1886-2959/003 | 62,5 | | | | | | | | | | |
| 1886-2962/001 | 1886-2962/002 | 1886-2962/003 | 63,5 | | 150 | 120 | 95 | 95 | 25 | 2,42 | 3,79 | 2,72 | |
| 1886-2964/001 | 1886-2964/002 | 1886-2964/003 | 65,5 | | | | | | | | | | |
| 1886-2966/001 | 1886-2966/002 | 1886-2966/003 | 66,5 | | | | | | | | | | |
| 1886-2968/001 | 1886-2968/002 | 1886-2968/003 | 68,5 | | | | | | | | | | |
| 1886-2971/001 | 1886-2971/002 | 1886-2971/003 | 70,5 | 4,6 | 160 | 130 | 105 | 105 | 35 | 2,66 | 4,24 | 3,10 | |
| 1886-2973/001 | 1886-2973/002 | 1886-2973/003 | 72,5 | | | | | | | | | | |
| 1886-2975/001 | 1886-2975/002 | 1886-2975/003 | 73,5 | | | | | | | | | | |
| 1886-2977/001 | 1886-2977/002 | 1886-2977/003 | 75,5 | | | | | | | | | | |
| 1886-2979/001 | 1886-2979/002 | 1886-2979/003 | 76,5 | | | | | | | | | | |
| 1886-2982/001 | 1886-2982/002 | 1886-2982/003 | 78,5 | | | | | | | | | | |
| 1886-2984/001 | 1886-2984/002 | 1886-2984/003 | 80,5 | | | | | | | | | | |
| 1886-2986/001 | 1886-2986/002 | 1886-2986/003 | 82,5 | | 170 | 140 | 115 | 115 | 45 | 2,88 | 4,68 | 3,46 | |
| 1886-2988/001 | 1886-2988/002 | 1886-2988/003 | 85,5 | | | | | | | | | | |

Размеры, мм

| Обозначения | | | Резиновое кольцо | | D_1 | D_2 | D_3 (поле допуска Н7) D_4 (поле допуска h6) | | D_5 | Масса, кг, не более | | | | |
|---------------|-----------------|---------------|------------------|-------|-------|-------|--|----------------|-------|---------------------|-----------------|---------|------|------|
| пуансона | пуансон-матрицы | матрицы | d_1 | d_2 | | | при усадке резины, % | | | пуансона | пуансон-матрицы | матрицы | | |
| | | | | | | | от 0,9 до 2,7 | св. 2,7 до 4,7 | | | | | | |
| 1886-2991/001 | 1886-2991/002 | 1886-2991/003 | 88,5 | 4,6 | 170 | 140 | 115 | 115 | 45 | 2,88 | 4,68 | 3,46 | | |
| 1886-2993/001 | 1886-2993/002 | 1886-2993/003 | 90,5 | | 180 | 150 | 125 | 125 | 55 | 3,21 | 5,12 | 3,73 | | |
| 1886-2995/001 | 1886-2995/002 | 1886-2995/003 | 92,0 | | | | | | | | | | | |
| 1886-2997/001 | 1886-2997/002 | 1886-2997/003 | 95,0 | | | | | | | | | | | |
| 1886-2999/001 | 1886-2999/002 | 1886-2999/003 | 98,0 | | | | | | | | | | | |
| 1886-3002/001 | 1886-3002/002 | 1886-3002/003 | 100,0 | | | | | | | | | | | |
| 1886-3004/001 | 1886-3004/002 | 1886-3004/003 | 102,0 | | | | 190 | 160 | 130 | 130 | 65 | 3,17 | 5,57 | 4,39 |
| 1886-3006/001 | 1886-3006/002 | 1886-3006/003 | 105,0 | | | | | | | | | | | |
| 1886-3008/001 | 1886-3008/002 | 1886-3008/003 | 108,0 | | | | | | | | | | | |
| 1886-3011/001 | 1886-3011/002 | 1886-3011/003 | 110,0 | | | | | | | | | | | |
| 1886-3013/001 | 1886-3013/002 | 1886-3013/003 | 112,0 | | | | | | 200 | 170 | | | | |
| 1886-3015/001 | 1886-3015/002 | 1886-3015/003 | 115,0 | | | | | | | | | | | |
| 1886-3017/001 | 1886-3017/002 | 1886-3017/003 | 118,0 | | | | | | | | | | | |
| 1886-3019/001 | 1886-3019/002 | 1886-3019/003 | 120,0 | | | | | | | | | | | |
| 1886-3022/001 | 1886-3022/002 | 1886-3022/003 | 122,5 | | 210 | 180 | 155 | 155 | | | 85 | 3,80 | 6,46 | 4,98 |
| 1886-3024/001 | 1886-3024/002 | 1886-3024/003 | 127,5 | | | | | | | | | | | |
| 1886-3026/001 | 1886-3026/002 | 1886-3026/003 | 132,5 | | | | 220 | 190 | 160 | 160 | | | | |
| 1886-3028/001 | 1886-3028/002 | 1886-3028/003 | 137,5 | | | | | | | | | | | |
| | | | | | | | | | 165 | 165 | | 3,81 | | 5,58 |

Размеры мм

| Обозначения | | | Резиновое кольцо | | D ₁ | D ₂ | D ₃ (поле допуска H7) D ₄ (поле допуска h6) | | D ₅ | Масса, кг. не более | | |
|---------------|-----------------|---------------|------------------|----------------|----------------|----------------|--|-----|----------------|---------------------|-----------------|---------|
| пуансона | пуансон-матрицы | матрицы | d ₁ | d ₂ | | | при усадке резины, % | | | пуансона | пуансон-матрицы | матрицы |
| | | | | | от 0,9 до 2,7 | св. 2,7 до 4,7 | | | | | | |
| 1886-3031/001 | 1886-3031/002 | 1886-3031/003 | 142,5 | 4,6 | 230 | 200 | 175 | 175 | 105 | 4,25 | 7,34 | 5,74 |
| 1886-3033/001 | 1886-3033/002 | 1886-3033/003 | 147,5 | | | | 180 | 180 | | 4,02 | | 5,97 |
| 1886-3035/001 | 1886-3035/002 | 1886-3035/003 | 152,0 | | 240 | 210 | 185 | 185 | 115 | 4,48 | 7,79 | 6,13 |
| 1886-3037/001 | 1886-3037/002 | 1886-3037/003 | 157,0 | | | | 190 | 190 | | 4,23 | | 6,38 |
| 1886-3039/001 | 1886-3039/002 | 1886-3039/003 | 162,0 | | 250 | 220 | 195 | 195 | 125 | 4,72 | 8,23 | 6,50 |
| 1886-3042/001 | 1886-3042/002 | 1886-3042/003 | 167,0 | | | | 200 | 200 | | 4,45 | | 6,77 |
| 1886-3044/001 | 1886-3044/002 | 1886-3044/003 | 172,0 | | 260 | 230 | 205 | 205 | 135 | 4,95 | 8,68 | 6,89 |
| 1886-3046/001 | 1886-3046/002 | 1886-3046/003 | 177,0 | | | | 210 | 210 | | 4,66 | | 7,17 |
| 1886-3048/001 | 1886-3048/002 | 1886-3048/003 | 182,0 | | 270 | 240 | 215 | 215 | 145 | 5,16 | 9,13 | 7,27 |
| 1886-3051/001 | 1886-3051/002 | 1886-3051/003 | 187,0 | | | | 220 | 220 | | 4,87 | | 7,57 |
| 1886-3053/001 | 1886-3053/002 | 1886-3053/003 | 191,5 | | 280 | 250 | 225 | 225 | 155 | 5,40 | 9,56 | 7,66 |
| 1886-3055/001 | 1886-3055/002 | 1886-3055/003 | 196,5 | | | | 230 | 230 | | 5,08 | | 7,98 |
| 1886-3057/001 | 1886-3057/002 | 1886-3057/003 | 201,5 | | 290 | 260 | 235 | 235 | 165 | 5,62 | 10,00 | 8,06 |
| 1886-3059/001 | 1886-3059/002 | 1886-3059/003 | 206,5 | | | | 240 | 240 | | 5,30 | | 8,38 |
| 1886-3062/001 | 1886-3062/002 | 1886-3062/003 | 211,5 | | 300 | 270 | 245 | 245 | 175 | 5,85 | 10,46 | 8,45 |
| 1886-3064/001 | 1886-3064/002 | 1886-3064/003 | 216,0 | | | | 250 | 250 | | 5,51 | | 8,79 |
| 1886-3066/001 | 1886-3066/002 | 1886-3066/003 | 221,0 | | 310 | 280 | 255 | 255 | 185 | 6,09 | 10,90 | 8,84 |
| 1886-3068/001 | 1886-3068/002 | 1886-3068/003 | 226,0 | | | | 260 | 260 | | 5,73 | | 9,20 |

Размеры, мм

Продолжение табл. 3

| Обозначения | | | Резиновое кольцо | | $\varnothing D_1$ | D_2 | D_3 (поле допуска Н7) D_4 (поле допуска h6) | | D_5 | Масса, кг, не более | | |
|---------------|-----------------|---------------|------------------|-------|-------------------|-------|--|----------------|-------|---------------------|-----------------|---------|
| пуансона | пуансон-матрицы | матрицы | d_1 | d_2 | | | при усадке резины, % | | | пуансона | пуансон-матрицы | матрицы |
| | | | | | | | от 0,9 до 2,7 | св. 2,7 до 4,7 | | | | |
| 1886-3071/001 | 1886-3071/002 | 1886-3071/003 | 231,0 | 4,6 | 320 | 290 | 265 | 265 | 195 | 6,32 | 11,34 | 9,23 |
| 1886-3073/001 | 1886-3073/002 | 1886-3073/003 | 236,0 | | | | 270 | 270 | | 5,94 | | 9,61 |
| 1886-3075/001 | 1886-3075/002 | 1886-3075/003 | 241,0 | | 330 | 300 | 275 | 275 | 205 | 6,54 | 11,78 | 9,63 |
| 1886-3077/001 | 1886-3077/002 | 1886-3077/003 | 245,5 | | | | 280 | 280 | | 6,15 | | 10,02 |
| 1886-3079/001 | 1886-3079/002 | 1886-3079/003 | 61,0 | 5,8 | 150 | 120 | 95 | 95 | 25 | 2,42 | 3,79 | 2,72 |
| 1886-3082/001 | 1886-3082/002 | 1886-3082/003 | 63,5 | | | | 100 | 100 | | 2,32 | | 2,83 |
| 1886-3084/001 | 1886-3084/002 | 1886-3084/003 | 68,5 | | | | 105 | 105 | | 2,66 | | 3,10 |
| 1886-3086/001 | 1886-3086/002 | 1886-3086/003 | 70,0 | | 160 | 130 | 110 | 110 | 35 | 2,54 | 4,24 | 3,23 |
| 1886-3088/001 | 1886-3088/002 | 1886-3088/003 | 73,5 | | | | 115 | 115 | | 2,88 | | 3,46 |
| 1886-3091/001 | 1886-3091/002 | 1886-3091/003 | 78,5 | | | | 170 | 140 | | 120 | | 120 |
| 1886-3093/001 | 1886-3093/002 | 1886-3093/003 | 80,5 | 125 | 125 | 3,21 | | | 3,73 | | | |
| 1886-3095/001 | 1886-3095/002 | 1886-3095/003 | 83,5 | 180 | 150 | 130 | | | 130 | 55 | 2,95 | 5,12 |
| 1886-3097/001 | 1886-3097/002 | 1886-3097/003 | 86,5 | | | 125 | 125 | 3,21 | 3,73 | | | |
| 1886-3099/001 | 1886-3099/002 | 1886-3099/003 | 88,5 | | | 130 | 130 | 2,95 | 3,99 | | | |
| 1886-3102/001 | 1886-3102/002 | 1886-3102/003 | 90,5 | | | | | | | | | |
| 1886-3104/001 | 1886-3104/002 | 1886-3104/003 | 93,0 | | | | | | | | | |
| 1886-3106/001 | 1886-3106/002 | 1886-3106/003 | 96,0 | | | | | | | | | |
| 1886-3108/001 | 1886-3108/002 | 1886-3108/003 | 98,0 | | | | | | | | | |

Размеры, мм

| Обозначения | | | Резиновое кольцо | | D_1 | D_2 | D_3 (поле допуска Н7) D_4 (поле допуска h6) | | D_5 | Масса, кг, не более | | |
|---------------|-----------------|---------------|------------------|-------|-------|-------|--|----------------|-------|---------------------|-----------------|---------|
| вуалсона | пуансон-матрицы | матрицы | d_1 | d_2 | | | при усадке резины, % | | | пуансона | пуансон-матрицы | матрицы |
| | | | | | | | от 0,9 до 2,7 | св. 2,7 до 4,7 | | | | |
| 1886-3111/001 | 1886-3111/002 | 1886-3111/003 | 100,0 | 5,8 | 180 | 150 | 130 | 130 | 55 | 2,95 | 5,12 | 3,99 |
| 1886-3113/001 | 1886-3113/002 | 1886-3113/003 | 103,0 | | 190 | 160 | 135 | 135 | 65 | 3,34 | 5,57 | 4,21 |
| 1886-3115/001 | 1886-3115/002 | 1886-3115/003 | 106,0 | | | | 140 | 140 | | 3,17 | | |
| 1886-3117/001 | 1886-3117/002 | 1886-3117/003 | 108,0 | | | | 145 | 145 | | 3,57 | | |
| 1886-3119/001 | 1886-3119/002 | 1886-3119/003 | 110,0 | | 200 | 170 | 150 | 150 | 75 | 3,38 | 6,02 | 4,79 |
| 1886-3122/001 | 1886-3122/002 | 1886-3122/003 | 113,0 | | | | 155 | 155 | | 3,80 | | |
| 1886-3124/001 | 1886-3124/002 | 1886-3124/003 | 116,0 | | | | 160 | 160 | | 3,60 | | |
| 1886-3126/001 | 1886-3126/002 | 1886-3126/003 | 118,0 | | 210 | 180 | 165 | 165 | 85 | 4,03 | 6,46 | 4,98 |
| 1886-3128/001 | 1886-3128/002 | 1886-3128/003 | 122,5 | | | | 170 | 170 | | 3,81 | | |
| 1886-3131/001 | 1886-3131/002 | 1886-3131/003 | 127,5 | | | | 175 | 175 | | 4,25 | | |
| 1886-3133/001 | 1886-3133/002 | 1886-3133/003 | 132,5 | | 220 | 190 | 180 | 180 | 95 | 4,02 | 6,90 | 5,36 |
| 1886-3135/001 | 1886-3135/002 | 1886-3135/003 | 137,5 | | | | 185 | 185 | | 3,81 | | |
| 1886-3137/001 | 1886-3137/002 | 1886-3137/003 | 142,5 | | | | 190 | 190 | | 4,25 | | |
| 1886-3139/001 | 1886-3139/002 | 1886-3139/003 | 147,5 | | 230 | 200 | 185 | 185 | 105 | 4,48 | 7,34 | 5,74 |
| 1886-3142/001 | 1886-3142/002 | 1886-3142/003 | 152,0 | | | | 195 | 195 | | 4,02 | | |
| 1886-3144/001 | 1886-3144/002 | 1886-3144/003 | 157,0 | | | | 200 | 200 | | 4,48 | | |
| 1886-3146/001 | 1886-3146/002 | 1886-3146/003 | 162,0 | | 240 | 210 | 185 | 185 | 115 | 4,23 | 7,79 | 6,13 |
| 1886-3148/001 | 1886-3148/002 | 1886-3148/003 | 167,0 | | | | 190 | 190 | | 4,72 | | |
| | | | | 195 | | | 195 | 4,45 | | | | |
| | | | | 250 | 220 | 195 | 195 | 125 | 8,23 | 6,50 | 6,77 | |
| | | | | | | 200 | 200 | | 4,45 | | | |

Размеры, мм

Продолжение табл. 3

| Обозначения | | | Резиновое кольцо | | D ₁ | D ₂ | D ₃ (поле допуска Н7) D ₄ (поле допуска h6) | | D ₅ | Масса, кг, не более | | |
|---------------|-----------------|---------------|------------------|----------------|----------------|----------------|--|----------------|----------------|---------------------|-----------------|---------|
| пуансона | пуансон-матрицы | матрицы | d ₁ | d ₂ | | | при усадке резины, % | | | пуансона | пуансон-матрицы | матрицы |
| | | | | | | | от 0,9 до 2,7 | св. 2,7 до 4,7 | | | | |
| 1886-3151/001 | 1886-3151/002 | 1886-3151/003 | 172,0 | 5,8 | 260 | 230 | 205 | 205 | 135 | 4,95 | 8,68 | 6,89 |
| 1886-3153/001 | 1886-3153/002 | 1886-3153/003 | 177,0 | | | | 210 | 210 | | 4,66 | | 7,17 |
| 1886-3155/001 | 1886-3155/002 | 1886-3155/003 | 182,0 | | 270 | 240 | 215 | 215 | 145 | 5,16 | 9,13 | 7,27 |
| 1886-3157/001 | 1886-3157/002 | 1886-3157/003 | 187,0 | | | | 220 | 220 | | 4,87 | | 7,57 |
| 1886-3159/001 | 1886-3159/002 | 1886-3159/003 | 191,5 | | 280 | 250 | 225 | 225 | 155 | 5,40 | 9,56 | 7,66 |
| 1886-3162/001 | 1886-3162/002 | 1886-3162/003 | 196,5 | | | | 230 | 230 | | 5,08 | | 7,98 |
| 1886-3164/001 | 1886-3164/002 | 1886-3164/003 | 201,5 | | 290 | 260 | 235 | 235 | 165 | 5,62 | 10,00 | 8,06 |
| 1886-3166/001 | 1886-3166/002 | 1886-3166/003 | 206,5 | | | | 240 | 240 | | 5,30 | | 8,38 |
| 1886-3168/001 | 1886-3168/002 | 1886-3168/003 | 211,5 | | 300 | 270 | 245 | 245 | 175 | 5,85 | 10,46 | 8,45 |
| 1886-3171/001 | 1886-3171/002 | 1886-3171/003 | 216,0 | | | | 250 | 250 | | 5,51 | | 8,79 |
| 1886-3173/001 | 1886-3173/002 | 1886-3173/003 | 221,0 | | 310 | 280 | 255 | 255 | 185 | 6,09 | 10,90 | 8,84 |
| 1886-3175/001 | 1886-3175/002 | 1886-3175/003 | 226,0 | | | | 260 | 260 | | 5,73 | | 9,20 |
| 1886-3177/001 | 1886-3177/002 | 1886-3177/003 | 231,0 | | 320 | 290 | 265 | 265 | 195 | 6,32 | 11,34 | 9,23 |
| 1886-3179/001 | 1886-3179/002 | 1886-3179/003 | 236,0 | | | | 270 | 270 | | 5,94 | | 9,61 |
| 1886-3182/001 | 1886-3182/002 | 1886-3182/003 | 241,0 | | 330 | 300 | 275 | 275 | 205 | 6,54 | 11,78 | 9,63 |
| 1886-3184/001 | 1886-3184/002 | 1886-3184/003 | 245,5 | | | | 280 | 280 | | 6,15 | | 10,02 |
| 1886-3186/001 | 1886-3186/002 | 1886-3186/003 | 250,5 | | 340 | 310 | 285 | 285 | 215 | 6,78 | 12,23 | 10,03 |
| 1886-3188/001 | 1886-3188/002 | 1886-3188/003 | 255,5 | | | | 290 | 290 | | 6,37 | | 10,43 |

Размеры, мм

| Обозначения | | | Резиновое кольцо | | D ₁ | D ₂ | D ₃ (поле допуска Н7) D ₄ (поле допуска h6) | | D ₅ | Масса, кг, не более | | | |
|---------------|-----------------|---------------|------------------|----------------|----------------|----------------|--|---------------|----------------|---------------------|-----------------|---------|--|
| пуансона | пуансон-матрицы | матрицы | d ₁ | d ₂ | | | при усадке резины, % | | | пуансона | пуансон-матрицы | матрицы | |
| | | | | | | | от 0,9 до 2,7 | св 2,7 до 4,7 | | | | | |
| 1886-3191/001 | 1886-3191/002 | 1886-3191/003 | 260,5 | 5,8 | 350 | 320 | 295 | 295 | 225 | 6,99 | 12,68 | 10,42 | |
| 1886-3193/001 | 1886-3193/002 | 1886-3193/003 | 265,5 | | | | 300 | 300 | | 6,58 | | 10,84 | |
| 1886-3195/001 | 1886-3195/002 | 1886-3195/003 | 270,5 | | 360 | 330 | 305 | 305 | 235 | 7,23 | 13,13 | 10,82 | |
| 1886-3197/001 | 1886-3197/002 | 1886-3197/003 | 275,0 | | | | 310 | 310 | | 6,80 | | 11,26 | |
| 1886-3199/001 | 1886-3199/002 | 1886-3199/003 | 280,0 | | 370 | 340 | 315 | 315 | 245 | 7,45 | 13,56 | 11,22 | |
| 1886-3202/001 | 1886-3202/002 | 1886-3202/003 | 285,0 | | | | 320 | 320 | | 7,00 | | 11,67 | |
| 1886-3204/001 | 1886-3204/002 | 1886-3204/003 | 290,0 | | 380 | 350 | 325 | 325 | 255 | 7,68 | 14,01 | 11,61 | |
| 1886-3206/001 | 1886-3206/002 | 1886-3206/003 | 294,5 | | | | 330 | 330 | | 7,22 | | 12,07 | |
| 1886-3208/001 | 1886-3208/002 | 1886-3208/003 | 79,5 | 7,5 | 170 | 140 | 115 | 115 | 45 | 2,88 | 4,68 | 3,46 | |
| 1886-3211/001 | 1886-3211/002 | 1886-3211/003 | 87,5 | | | | 120 | 120 | | 2,74 | | 3,60 | |
| 1886-3213/001 | 1886-3213/002 | 1886-3213/003 | 89,5 | | 180 | 150 | 125 | 125 | 55 | 3,21 | 5,12 | 3,73 | |
| 1886-3215/001 | 1886-3215/002 | 1886-3215/003 | 92,0 | | | | 130 | 130 | | 2,95 | | 3,99 | |
| 1886-3217/001 | 1886-3217/002 | 1886-3217/003 | 95,0 | | 190 | 160 | 135 | 135 | 65 | 3,34 | 5,57 | 4,21 | |
| 1886-3219/001 | 1886-3219/002 | 1886-3219/003 | 97,0 | | | | 140 | 140 | | 3,17 | | 4,39 | |
| 1886-3222/001 | 1886-3222/002 | 1886-3222/003 | 100,0 | | | | | | | | | | |
| 1886-3224/001 | 1886-3224/002 | 1886-3224/003 | 103,0 | | | | | | | | | | |
| 1886-3226/001 | 1886-3226/002 | 1886-3226/003 | 105,0 | | | | | | | | | | |
| 1886-3228/001 | 1886-3228/002 | 1886-3228/003 | 107,0 | | | | | | | | | | |

| Обозначения | | | Резиновое кольцо | | D ₁ | D ₂ | D ₃ (поле допуска Н7) D ₄ (поле допуска h6) | | D ₅ | Масса, кг, не более | | |
|---------------|-----------------|---------------|------------------|----------------|----------------|----------------|--|---------------|----------------|---------------------|-----------------|---------|
| пуансона | пуансон-матрицы | матрицы | d ₁ | d ₂ | | | при усадке резины, % | | | пуансона | пуансон-матрицы | матрицы |
| | | | | | | | от 0,9 до 2,7 | св 2,7 до 4,7 | | | | |
| 1886-3231/001 | 1886-3231/002 | 1886-3231/003 | 110,0 | | 200 | 170 | 145 | 145 | 75 | 3,57 | 6,02 | 4,60 |
| 1886-3233/001 | 1886-3233/002 | 1886-3233/003 | 113,0 | | | | | | | | | |
| 1886-3235/001 | 1886-3235/002 | 1886-3235/003 | 115,0 | | | | | | | | | |
| 1886-3237/001 | 1886-3237/002 | 1886-3237/003 | 117,0 | | | | | | | | | |
| 1886-3239/001 | 1886-3239/002 | 1886-3239/003 | 120,0 | 7,5 | | | | | | | | |
| 1886-3242/001 | 1886-3242/002 | 1886-3242/003 | 122,5 | | 210 | 180 | 155 | 155 | 85 | 3,80 | 6,46 | 4,98 |
| 1886-3244/001 | 1886-3244/002 | 1886-3244/003 | 124,5 | | | | | | | | | |
| 1886-3246/001 | 1886-3246/002 | 1886-3246/003 | 126,5 | | | | | | | | | |
| 1886-3248/001 | 1886-3248/002 | 1886-3248/003 | 128,5 | | 220 | 190 | 160 | 160 | 95 | 3,60 | 5,18 | 5,36 |
| 1886-3251/001 | 1886-3251/002 | 1886-3251/003 | 129,5 | | | | | | | | | |
| 1886-3253/001 | 1886-3253/002 | 1886-3253/003 | 134,5 | | | | | | | | | |
| 1886-3255/001 | 1886-3255/002 | 1886-3255/003 | 139,5 | | 230 | 200 | 165 | 165 | 105 | 4,03 | 6,90 | 5,58 |
| 1886-3257/001 | 1886-3257/002 | 1886-3257/003 | 144,5 | | | | | | | | | |
| 1886-3259/001 | 1886-3259/002 | 1886-3259/003 | 149,5 | 8,5 | | | | | | | | |
| 1886-3262/001 | 1886-3262/002 | 1886-3262/003 | 155,0 | | 240 | 210 | 170 | 170 | 115 | 3,81 | 7,34 | 5,74 |
| 1886-3264/001 | 1886-3264/002 | 1886-3264/003 | 160,0 | | | | | | | | | |
| 1886-3266/001 | 1886-3266/002 | 1886-3266/003 | 165,0 | | | | | | | | | |
| 1886-3268/001 | 1886-3268/002 | 1886-3268/003 | 170,0 | | 250 | 220 | 175 | 175 | 125 | 4,25 | 8,23 | 6,50 |
| 1886-3268/001 | 1886-3268/002 | 1886-3268/003 | 170,0 | | | | | | | | | |
| 1886-3268/001 | 1886-3268/002 | 1886-3268/003 | 170,0 | | | | | | | | | |
| 1886-3268/001 | 1886-3268/002 | 1886-3268/003 | 170,0 | | 260 | 230 | 180 | 180 | 135 | 4,02 | 7,79 | 6,13 |
| 1886-3268/001 | 1886-3268/002 | 1886-3268/003 | 170,0 | | | | | | | | | |
| 1886-3268/001 | 1886-3268/002 | 1886-3268/003 | 170,0 | | | | | | | | | |
| 1886-3268/001 | 1886-3268/002 | 1886-3268/003 | 170,0 | | 250 | 220 | 185 | 185 | 115 | 4,48 | 7,79 | 6,13 |
| 1886-3268/001 | 1886-3268/002 | 1886-3268/003 | 170,0 | | | | | | | | | |
| 1886-3268/001 | 1886-3268/002 | 1886-3268/003 | 170,0 | | | | | | | | | |
| 1886-3268/001 | 1886-3268/002 | 1886-3268/003 | 170,0 | | 250 | 220 | 190 | 190 | 125 | 4,23 | 8,23 | 6,38 |
| 1886-3268/001 | 1886-3268/002 | 1886-3268/003 | 170,0 | | | | | | | | | |
| 1886-3268/001 | 1886-3268/002 | 1886-3268/003 | 170,0 | | | | | | | | | |
| 1886-3268/001 | 1886-3268/002 | 1886-3268/003 | 170,0 | | 260 | 230 | 195 | 195 | 125 | 4,72 | 8,23 | 6,50 |
| 1886-3268/001 | 1886-3268/002 | 1886-3268/003 | 170,0 | | | | | | | | | |
| 1886-3268/001 | 1886-3268/002 | 1886-3268/003 | 170,0 | | | | | | | | | |
| 1886-3268/001 | 1886-3268/002 | 1886-3268/003 | 170,0 | | 260 | 230 | 200 | 200 | 135 | 4,45 | 8,68 | 6,77 |
| 1886-3268/001 | 1886-3268/002 | 1886-3268/003 | 170,0 | | | | | | | | | |
| 1886-3268/001 | 1886-3268/002 | 1886-3268/003 | 170,0 | | | | | | | | | |
| 1886-3268/001 | 1886-3268/002 | 1886-3268/003 | 170,0 | | 260 | 230 | 205 | 205 | 135 | 4,95 | 8,68 | 6,89 |
| 1886-3268/001 | 1886-3268/002 | 1886-3268/003 | 170,0 | | | | | | | | | |
| 1886-3268/001 | 1886-3268/002 | 1886-3268/003 | 170,0 | | | | | | | | | |

Размеры, мм

| Обозначения | | | Резиновое кольцо | | D_1 | D_2 | D_3 (поле допуска Н7) D_4 (поле допуска h6) | | D_5 | Масса, кг, не более | | |
|---------------|-----------------|---------------|------------------|-------|-------|-------|--|---------------|-------|---------------------|-----------------|---------|
| пуансона | пуансон-матрицы | матрицы | d_1 | d_2 | | | при усадке резины, % | | | пуансона | пуансон-матрицы | матрицы |
| | | | | | | | от 0,9 до 2,7 | св 2,7 до 4,7 | | | | |
| 1886-3271/001 | 1886-3271/002 | 1886-3271/003 | 175,0 | 8,5 | 260 | 230 | 210 | 210 | 135 | 4,66 | 8,68 | 7,17 |
| 1886-3273/001 | 1886-3273/002 | 1886-3273/003 | 180,0 | | 270 | 240 | 215 | 215 | 145 | 5,16 | 9,13 | 7,27 |
| 1886-3275/001 | 1886-3275/002 | 1886-3275/003 | 185,0 | | | | 220 | 220 | | 4,87 | | 7,57 |
| 1886-3277/001 | 1886-3277/002 | 1886-3277/003 | 191,5 | | 280 | 250 | 225 | 230 | 155 | 5,40 | 9,56 | 7,66 |
| 1886-3279/001 | 1886-3279/002 | 1886-3279/003 | 196,5 | | 290 | 260 | 230 | 235 | 165 | 5,62 | 10,00 | 8,06 |
| 1886-3282/001 | 1886-3282/002 | 1886-3282/003 | 201,5 | | | | 235 | 240 | | 5,30 | | 8,38 |
| 1886-3284/001 | 1886-3284/002 | 1886-3284/003 | 206,5 | | 300 | 270 | 240 | 245 | 175 | 5,85 | 10,46 | 8,45 |
| 1886-3286/001 | 1886-3286/002 | 1886-3286/003 | 211,5 | | | | 245 | 250 | | 5,51 | | 8,79 |
| 1886-3288/001 | 1886-3288/002 | 1886-3288/003 | 216,5 | | 310 | 280 | 250 | 255 | 185 | 6,09 | 10,90 | 8,84 |
| 1886-3291/001 | 1886-3291/002 | 1886-3291/003 | 221,0 | | | | 255 | 260 | | 5,73 | | 9,20 |
| 1886-3293/001 | 1886-3293/002 | 1886-3293/003 | 226,0 | | 320 | 290 | 260 | 265 | 195 | 6,32 | 11,34 | 9,23 |
| 1886-3295/001 | 1886-3295/002 | 1886-3295/003 | 231,0 | | | | 265 | 270 | | 5,94 | | 9,61 |
| 1886-3297/001 | 1886-3297/002 | 1886-3297/003 | 236,0 | | 330 | 300 | 270 | 275 | 205 | 6,54 | 11,78 | 9,63 |
| 1886-3299/001 | 1886-3299/002 | 1886-3299/003 | 241,0 | | | | 275 | 280 | | 6,15 | | 10,02 |
| 1886-3302/001 | 1886-3302/002 | 1886-3302/003 | 245,5 | | 340 | 310 | 280 | 285 | 215 | 6,78 | 12,23 | 10,03 |
| 1886-3304/001 | 1886-3304/002 | 1886-3304/003 | 250,5 | | | | 285 | 290 | | 6,37 | | 10,43 |
| 1886-3306/001 | 1886-3306/002 | 1886-3306/003 | 255,5 | | 350 | 320 | 290 | 295 | 225 | 6,99 | 12,68 | 10,42 |
| 1886-3308/001 | 1886-3308/002 | 1886-3308/003 | 260,5 | | | | 295 | 300 | | 6,58 | | 10,84 |

Размеры, мм

| Обозначения | | | Резиновое кольцо | | D_1 | D_2 | D_3 (поле допуска Н7) D_4 (поле допуска h6) | | D_5 | Масса, кг, не более | | |
|---------------|-------------------|---------------|------------------|-------|-------|-------|--|----------------|-------|---------------------|-----------------|---------|
| пуансона | пуансон + матрицы | матрицы | d_1 | d_2 | | | при усадке резины, % | | | пуансона | пуансон-матрицы | матрицы |
| | | | | | | | от 0,9 до 2,7 | св. 2,7 до 4,7 | | | | |
| 1886-3311/001 | 1886-3311/002 | 1886-3311/003 | 275,0 | 8,5 | 370 | 340 | 310 | 315 | 245 | 7,45 | 13,56 | 11,22 |
| 1886-3313/001 | 1886-3313/002 | 1886-3313/003 | 280,0 | | | | 315 | 320 | | 7,00 | | 11,67 |
| 1886-3315/001 | 1886-3315/002 | 1886-3315/003 | 294,0 | | | | 390 | 360 | | 330 | | 335 |
| 1886-3317/001 | 1886-3317/002 | 1886-3317/003 | 299,5 | | 335 | 340 | | | 265 | 6,91 | 14,44 | 12,02 |

Пример условного обозначения пуансона для резинового кольца первой группы точности из резиновой смеси со средней усадкой 1,2%, размерами $D_1=150$ мм, $D_3=90$ мм:

Пуансон 1886-2671/001—1,2 ГОСТ 26298—84

То же, для кольца второй группы точности:

Пуансон 1886-2671/001—1,2—2 ГОСТ 26298—84

7.1. Материал — сталь марки 40Х по ГОСТ 4543—71. Допускается изготовление из стали по ГОСТ 14901—79.

7.2. Твердость детали — не менее HRC₉ 38.

7.3. Размеры D , d , r , l и расположение облойной канавки — по ГОСТ 24513—80.

7.4. Допуски формы и расположения поверхностей должны соответствовать 7-й степени точности по ГОСТ 24643—81.

7.5. Покрытие поверхностей Б—Х18—30 тв.б. — по ГОСТ 9.073—77.

7.6. Размеры и шероховатость поверхностей Б указаны после нанесения покрытия.

7.7. Места пересечения формообразующих поверхностей с плоскостью разъема должны быть острыми.

7.8. Допускается, по согласованию сторон, заменять капле-видную облойную канавку на круглую по ГОСТ 24513—80.