

ГОСТ 8943—75

МЕЖГОСУДАРСТВЕННЫЙ СТАНДАРТ

**СОЕДИНИТЕЛЬНЫЕ ЧАСТИ
ИЗ КОВКОГО ЧУГУНА
С ЦИЛИНДРИЧЕСКОЙ РЕЗЬБОЙ
ДЛЯ ТРУБОПРОВОДОВ**

НОМЕНКЛАТУРА

Издание официальное



Москва
Стандартинформ
2010

СОЕДИНИТЕЛЬНЫЕ ЧАСТИ ИЗ КОВКОГО ЧУГУНА
С ЦИЛИНДРИЧЕСКОЙ РЕЗЬБОЙ ДЛЯ ТРУБОПРОВОДОВГОСТ
8943—75

Номенклатура

Ductile iron and steel fittings with
parallel thread for pipelines.
NomenclatureВзамен
ГОСТ 8943—59

МКС 23.040.60

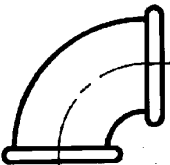
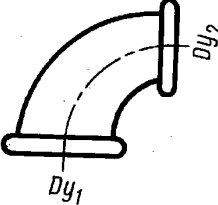
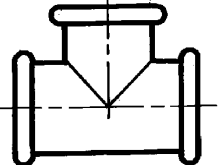
Постановлением Государственного комитета стандартов Совета Министров СССР от 14.11.75 № 2901 дата введения установлена

01.01.77

Ограничение срока действия снято по протоколу Межгосударственного совета по стандартизации, метрологии и сертификации (ИУС 2—93)

1. Настоящий стандарт распространяется на части из ковкого чугуна с цинковым покрытием и без покрытия, с цилиндрической трубной резьбой, предназначенные для соединения водо- и газопроводных труб (с применением уплотнителя) в системах отопления, водопровода, газопровода и в других системах в условиях неагрессивных сред (вода, насыщенный водяной пар, горючий газ и др.), при температуре проводимой среды не выше 175 °С и условном давлении: P_y 1,6 МПа (≈ 16 кгс/см²) при условных проходах не более D_y 40 мм и P_y 1 МПа (≈ 10 кгс/см²) при условных проходах D_y 50—100 мм.

2. Номенклатура соединительных частей приведена в таблице.

| Наименование соединительных частей | Основные размеры | Эскиз | Сортамент D_y , мм | | | | | | | | | | | | | | | | | | | | | | | | | | | | | | | | | | | | | | | | | |
|------------------------------------|------------------|-------------------------------------------------------------------------------------|--------------------------------------------------------------------------------------------------------------------------------------------------------------------------------------------------------------------------------------------------------------------------------------------------------------------------------------------------------------------------------------------------------------------------------------------------------------------------------------------------------------------------------------------------------------------------------------------------------------------------|----------|----------|--|--|--|--|----|----|----|----|----|----|---|--|--|--|--|----|---|---|--|--|--|----|--|---|---|--|--|----|--|---|---|---|--|----|--|--|--|---|---|
| Угольник прямой | По ГОСТ 8946—75 |  | 8; 10; 15; 20; 25; 32; 40; 50; (65); (80); (100) | | | | | | | | | | | | | | | | | | | | | | | | | | | | | | | | | | | | | | | | | |
| Угольник переходной | По ГОСТ 8947—75 |  | <table border="1"> <thead> <tr> <th rowspan="2">D_{y1}</th> <th colspan="5">D_{y2}</th> </tr> <tr> <th>10</th> <th>15</th> <th>20</th> <th>25</th> <th>32</th> </tr> </thead> <tbody> <tr> <td>15</td> <td>•</td> <td></td> <td></td> <td></td> <td></td> </tr> <tr> <td>20</td> <td>•</td> <td>•</td> <td></td> <td></td> <td></td> </tr> <tr> <td>25</td> <td></td> <td>•</td> <td>•</td> <td></td> <td></td> </tr> <tr> <td>32</td> <td></td> <td>•</td> <td>•</td> <td>•</td> <td></td> </tr> <tr> <td>40</td> <td></td> <td></td> <td></td> <td>•</td> <td>•</td> </tr> </tbody> </table> | D_{y1} | D_{y2} | | | | | 10 | 15 | 20 | 25 | 32 | 15 | • | | | | | 20 | • | • | | | | 25 | | • | • | | | 32 | | • | • | • | | 40 | | | | • | • |
| D_{y1} | D_{y2} | | | | | | | | | | | | | | | | | | | | | | | | | | | | | | | | | | | | | | | | | | | |
| | 10 | 15 | 20 | 25 | 32 | | | | | | | | | | | | | | | | | | | | | | | | | | | | | | | | | | | | | | | |
| 15 | • | | | | | | | | | | | | | | | | | | | | | | | | | | | | | | | | | | | | | | | | | | | |
| 20 | • | • | | | | | | | | | | | | | | | | | | | | | | | | | | | | | | | | | | | | | | | | | | |
| 25 | | • | • | | | | | | | | | | | | | | | | | | | | | | | | | | | | | | | | | | | | | | | | | |
| 32 | | • | • | • | | | | | | | | | | | | | | | | | | | | | | | | | | | | | | | | | | | | | | | | |
| 40 | | | | • | • | | | | | | | | | | | | | | | | | | | | | | | | | | | | | | | | | | | | | | | |
| Тройник прямой | По ГОСТ 8948—75 |  | 8; 10; 15; 20; 25; 32; 40; 50; (65); (80); (100) | | | | | | | | | | | | | | | | | | | | | | | | | | | | | | | | | | | | | | | | | |

Издание официальное

Переиздание. Сентябрь 2010 г.

Перепечатка воспрещена

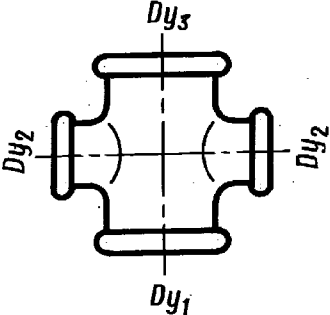
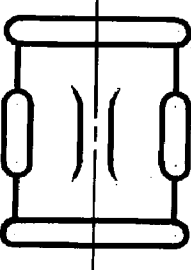
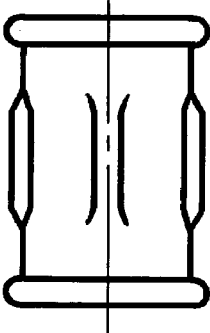
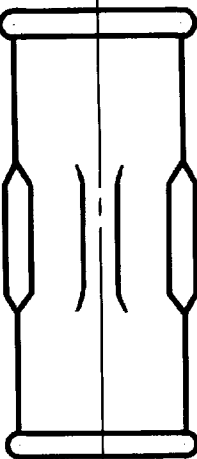
© Издательство стандартов, 1975
© СТАНДАРТИНФОРМ, 2010

Продолжение

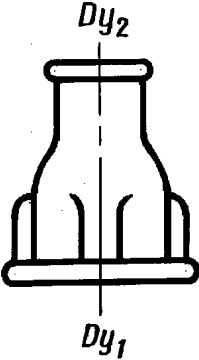
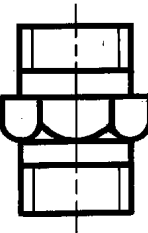
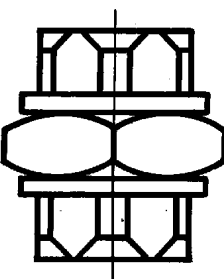
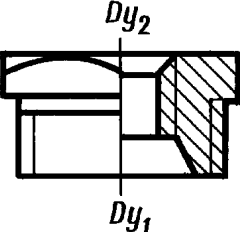
| Наименование соединительных частей | Основные размеры | Эскиз | Сортамент D_y , мм | | | | | | | | | | | | | | | | | | | | | | | | | | | | | | | | | | | | | | | | | | | | | | | | | | | | | | | | | | | | | | | | | | | | | | | | | | | | | | | | | | | | | | | | | | | | | | | | | | | | | | | | | | | | |
|------------------------------------|------------------|-------|---------------------------------------------------------------------------------------------------------------------------------------------------------------------------------------------------------------------------------------------------------------------------------------------------------------------------------------------------------------------------------------------------------------------------------------------------------------------------------------------------------------------------------------------------------------------------------------------------------------------------------------------------------------------------------------------------------------------------------------------------------------------------------------------------------------------------------------------------------------------------------------------------------------------------------------------------------------------------------------------------------------------------------------------------------------------------------------------------------------------------------------------------------------------------------------------------------------------------------------------------------------------|----------|----------|----|----|----------|----|----|----|----|----|----|----|----|----|----|----|----|----|----|---|---|---|----|----|--|--|---|----|----|---|---|--|--|--|--|--|--|--|----|--|---|---|--|--|--|--|--|--|----|--|---|---|---|--|--|--|--|--|----|--|---|---|---|---|--|--|--|--|----|--|---|---|---|---|---|--|--|--|----|--|--|--|--|---|---|---|--|--|----|--|--|--|--|--|---|---|---|--|-----|--|--|--|--|--|--|---|---|---|
| Тройник переходной | По ГОСТ 8949—75 | | <table border="1"> <thead> <tr> <th rowspan="2">D_{y1}</th> <th colspan="8">D_{y2}</th> </tr> <tr> <th>10</th> <th>15</th> <th>20</th> <th>25</th> <th>32</th> <th>40</th> <th>50</th> <th>65</th> <th>80</th> </tr> </thead> <tbody> <tr><td>15</td><td>●</td><td></td><td>●</td><td></td><td></td><td></td><td></td><td></td><td></td></tr> <tr><td>20</td><td>●</td><td>●</td><td></td><td></td><td></td><td></td><td></td><td></td><td></td></tr> <tr><td>25</td><td></td><td>●</td><td>●</td><td></td><td></td><td></td><td></td><td></td><td></td></tr> <tr><td>32</td><td></td><td>●</td><td>●</td><td>●</td><td></td><td></td><td></td><td></td><td></td></tr> <tr><td>40</td><td></td><td>●</td><td>●</td><td>●</td><td>●</td><td></td><td></td><td></td><td></td></tr> <tr><td>50</td><td></td><td>●</td><td>●</td><td>●</td><td>●</td><td>●</td><td></td><td></td><td></td></tr> <tr><td>65</td><td></td><td></td><td></td><td></td><td>○</td><td>○</td><td>○</td><td></td><td></td></tr> <tr><td>80</td><td></td><td></td><td></td><td></td><td></td><td>○</td><td>○</td><td>○</td><td></td></tr> <tr><td>100</td><td></td><td></td><td></td><td></td><td></td><td></td><td>○</td><td>○</td><td>○</td></tr> </tbody> </table> | D_{y1} | D_{y2} | | | | | | | | 10 | 15 | 20 | 25 | 32 | 40 | 50 | 65 | 80 | 15 | ● | | ● | | | | | | | 20 | ● | ● | | | | | | | | 25 | | ● | ● | | | | | | | 32 | | ● | ● | ● | | | | | | 40 | | ● | ● | ● | ● | | | | | 50 | | ● | ● | ● | ● | ● | | | | 65 | | | | | ○ | ○ | ○ | | | 80 | | | | | | ○ | ○ | ○ | | 100 | | | | | | | ○ | ○ | ○ |
| D_{y1} | D_{y2} | | | | | | | | | | | | | | | | | | | | | | | | | | | | | | | | | | | | | | | | | | | | | | | | | | | | | | | | | | | | | | | | | | | | | | | | | | | | | | | | | | | | | | | | | | | | | | | | | | | | | | | | | | | | | | |
| | 10 | 15 | 20 | 25 | 32 | 40 | 50 | 65 | 80 | | | | | | | | | | | | | | | | | | | | | | | | | | | | | | | | | | | | | | | | | | | | | | | | | | | | | | | | | | | | | | | | | | | | | | | | | | | | | | | | | | | | | | | | | | | | | | | | | | | | | | |
| 15 | ● | | ● | | | | | | | | | | | | | | | | | | | | | | | | | | | | | | | | | | | | | | | | | | | | | | | | | | | | | | | | | | | | | | | | | | | | | | | | | | | | | | | | | | | | | | | | | | | | | | | | | | | | | | | | | | | | |
| 20 | ● | ● | | | | | | | | | | | | | | | | | | | | | | | | | | | | | | | | | | | | | | | | | | | | | | | | | | | | | | | | | | | | | | | | | | | | | | | | | | | | | | | | | | | | | | | | | | | | | | | | | | | | | | | | | | | | | |
| 25 | | ● | ● | | | | | | | | | | | | | | | | | | | | | | | | | | | | | | | | | | | | | | | | | | | | | | | | | | | | | | | | | | | | | | | | | | | | | | | | | | | | | | | | | | | | | | | | | | | | | | | | | | | | | | | | | | | | |
| 32 | | ● | ● | ● | | | | | | | | | | | | | | | | | | | | | | | | | | | | | | | | | | | | | | | | | | | | | | | | | | | | | | | | | | | | | | | | | | | | | | | | | | | | | | | | | | | | | | | | | | | | | | | | | | | | | | | | | | | |
| 40 | | ● | ● | ● | ● | | | | | | | | | | | | | | | | | | | | | | | | | | | | | | | | | | | | | | | | | | | | | | | | | | | | | | | | | | | | | | | | | | | | | | | | | | | | | | | | | | | | | | | | | | | | | | | | | | | | | | | | | | |
| 50 | | ● | ● | ● | ● | ● | | | | | | | | | | | | | | | | | | | | | | | | | | | | | | | | | | | | | | | | | | | | | | | | | | | | | | | | | | | | | | | | | | | | | | | | | | | | | | | | | | | | | | | | | | | | | | | | | | | | | | | | | |
| 65 | | | | | ○ | ○ | ○ | | | | | | | | | | | | | | | | | | | | | | | | | | | | | | | | | | | | | | | | | | | | | | | | | | | | | | | | | | | | | | | | | | | | | | | | | | | | | | | | | | | | | | | | | | | | | | | | | | | | | | | | |
| 80 | | | | | | ○ | ○ | ○ | | | | | | | | | | | | | | | | | | | | | | | | | | | | | | | | | | | | | | | | | | | | | | | | | | | | | | | | | | | | | | | | | | | | | | | | | | | | | | | | | | | | | | | | | | | | | | | | | | | | | | | |
| 100 | | | | | | | ○ | ○ | ○ | | | | | | | | | | | | | | | | | | | | | | | | | | | | | | | | | | | | | | | | | | | | | | | | | | | | | | | | | | | | | | | | | | | | | | | | | | | | | | | | | | | | | | | | | | | | | | | | | | | | | | |
| Тройник с двумя переходами | По ГОСТ 8950—75 | | <table border="1"> <thead> <tr> <th rowspan="2">D_{y1}</th> <th colspan="3">D_{y2}</th> <th rowspan="2">D_{y3}</th> </tr> <tr> <th>15</th> <th>20</th> <th>25</th> </tr> </thead> <tbody> <tr><td>20</td><td>●</td><td>●</td><td></td><td>15</td></tr> <tr><td>25</td><td>●</td><td>●</td><td></td><td>20</td></tr> <tr><td>32</td><td></td><td>●</td><td>●</td><td>25</td></tr> <tr><td>40</td><td></td><td></td><td>●</td><td>32</td></tr> </tbody> </table> | D_{y1} | D_{y2} | | | D_{y3} | 15 | 20 | 25 | 20 | ● | ● | | 15 | 25 | ● | ● | | 20 | 32 | | ● | ● | 25 | 40 | | | ● | 32 | | | | | | | | | | | | | | | | | | | | | | | | | | | | | | | | | | | | | | | | | | | | | | | | | | | | | | | | | | | | | | | | | | | | | | | | | | | | | | | | |
| D_{y1} | D_{y2} | | | | D_{y3} | | | | | | | | | | | | | | | | | | | | | | | | | | | | | | | | | | | | | | | | | | | | | | | | | | | | | | | | | | | | | | | | | | | | | | | | | | | | | | | | | | | | | | | | | | | | | | | | | | | | | | | | | | |
| | 15 | 20 | 25 | | | | | | | | | | | | | | | | | | | | | | | | | | | | | | | | | | | | | | | | | | | | | | | | | | | | | | | | | | | | | | | | | | | | | | | | | | | | | | | | | | | | | | | | | | | | | | | | | | | | | | | | | | | | |
| 20 | ● | ● | | 15 | | | | | | | | | | | | | | | | | | | | | | | | | | | | | | | | | | | | | | | | | | | | | | | | | | | | | | | | | | | | | | | | | | | | | | | | | | | | | | | | | | | | | | | | | | | | | | | | | | | | | | | | | | | |
| 25 | ● | ● | | 20 | | | | | | | | | | | | | | | | | | | | | | | | | | | | | | | | | | | | | | | | | | | | | | | | | | | | | | | | | | | | | | | | | | | | | | | | | | | | | | | | | | | | | | | | | | | | | | | | | | | | | | | | | | | |
| 32 | | ● | ● | 25 | | | | | | | | | | | | | | | | | | | | | | | | | | | | | | | | | | | | | | | | | | | | | | | | | | | | | | | | | | | | | | | | | | | | | | | | | | | | | | | | | | | | | | | | | | | | | | | | | | | | | | | | | | | |
| 40 | | | ● | 32 | | | | | | | | | | | | | | | | | | | | | | | | | | | | | | | | | | | | | | | | | | | | | | | | | | | | | | | | | | | | | | | | | | | | | | | | | | | | | | | | | | | | | | | | | | | | | | | | | | | | | | | | | | | |
| Крест прямой | По ГОСТ 8951—75 | | 10; 15; 20; 25; 32; 40; 50; (65); (80); (100) | | | | | | | | | | | | | | | | | | | | | | | | | | | | | | | | | | | | | | | | | | | | | | | | | | | | | | | | | | | | | | | | | | | | | | | | | | | | | | | | | | | | | | | | | | | | | | | | | | | | | | | | | | | | |
| Крест переходной | По ГОСТ 8952—75 | | <table border="1"> <thead> <tr> <th rowspan="2">D_{y1}</th> <th colspan="8">D_{y2}</th> </tr> <tr> <th>10</th> <th>15</th> <th>20</th> <th>25</th> <th>32</th> <th>40</th> <th>50</th> <th>65</th> <th>80</th> </tr> </thead> <tbody> <tr><td>15</td><td>●</td><td></td><td></td><td></td><td></td><td></td><td></td><td></td><td></td></tr> <tr><td>20</td><td></td><td>●</td><td></td><td></td><td></td><td></td><td></td><td></td><td></td></tr> <tr><td>25</td><td></td><td>●</td><td>●</td><td></td><td></td><td></td><td></td><td></td><td></td></tr> <tr><td>32</td><td></td><td>●</td><td>●</td><td>●</td><td></td><td></td><td></td><td></td><td></td></tr> <tr><td>40</td><td></td><td></td><td>●</td><td>●</td><td>●</td><td></td><td></td><td></td><td></td></tr> <tr><td>50</td><td></td><td></td><td></td><td>●</td><td>●</td><td>●</td><td></td><td></td><td></td></tr> <tr><td>65</td><td></td><td></td><td></td><td></td><td>○</td><td>○</td><td>○</td><td></td><td></td></tr> <tr><td>80</td><td></td><td></td><td></td><td></td><td></td><td>○</td><td>○</td><td>○</td><td></td></tr> <tr><td>100</td><td></td><td></td><td></td><td></td><td></td><td></td><td></td><td>○</td><td>○</td></tr> </tbody> </table> | D_{y1} | D_{y2} | | | | | | | | 10 | 15 | 20 | 25 | 32 | 40 | 50 | 65 | 80 | 15 | ● | | | | | | | | | 20 | | ● | | | | | | | | 25 | | ● | ● | | | | | | | 32 | | ● | ● | ● | | | | | | 40 | | | ● | ● | ● | | | | | 50 | | | | ● | ● | ● | | | | 65 | | | | | ○ | ○ | ○ | | | 80 | | | | | | ○ | ○ | ○ | | 100 | | | | | | | | ○ | ○ |
| D_{y1} | D_{y2} | | | | | | | | | | | | | | | | | | | | | | | | | | | | | | | | | | | | | | | | | | | | | | | | | | | | | | | | | | | | | | | | | | | | | | | | | | | | | | | | | | | | | | | | | | | | | | | | | | | | | | | | | | | | | | |
| | 10 | 15 | 20 | 25 | 32 | 40 | 50 | 65 | 80 | | | | | | | | | | | | | | | | | | | | | | | | | | | | | | | | | | | | | | | | | | | | | | | | | | | | | | | | | | | | | | | | | | | | | | | | | | | | | | | | | | | | | | | | | | | | | | | | | | | | | | |
| 15 | ● | | | | | | | | | | | | | | | | | | | | | | | | | | | | | | | | | | | | | | | | | | | | | | | | | | | | | | | | | | | | | | | | | | | | | | | | | | | | | | | | | | | | | | | | | | | | | | | | | | | | | | | | | | | | | | |
| 20 | | ● | | | | | | | | | | | | | | | | | | | | | | | | | | | | | | | | | | | | | | | | | | | | | | | | | | | | | | | | | | | | | | | | | | | | | | | | | | | | | | | | | | | | | | | | | | | | | | | | | | | | | | | | | | | | | |
| 25 | | ● | ● | | | | | | | | | | | | | | | | | | | | | | | | | | | | | | | | | | | | | | | | | | | | | | | | | | | | | | | | | | | | | | | | | | | | | | | | | | | | | | | | | | | | | | | | | | | | | | | | | | | | | | | | | | | | |
| 32 | | ● | ● | ● | | | | | | | | | | | | | | | | | | | | | | | | | | | | | | | | | | | | | | | | | | | | | | | | | | | | | | | | | | | | | | | | | | | | | | | | | | | | | | | | | | | | | | | | | | | | | | | | | | | | | | | | | | | |
| 40 | | | ● | ● | ● | | | | | | | | | | | | | | | | | | | | | | | | | | | | | | | | | | | | | | | | | | | | | | | | | | | | | | | | | | | | | | | | | | | | | | | | | | | | | | | | | | | | | | | | | | | | | | | | | | | | | | | | | | |
| 50 | | | | ● | ● | ● | | | | | | | | | | | | | | | | | | | | | | | | | | | | | | | | | | | | | | | | | | | | | | | | | | | | | | | | | | | | | | | | | | | | | | | | | | | | | | | | | | | | | | | | | | | | | | | | | | | | | | | | | |
| 65 | | | | | ○ | ○ | ○ | | | | | | | | | | | | | | | | | | | | | | | | | | | | | | | | | | | | | | | | | | | | | | | | | | | | | | | | | | | | | | | | | | | | | | | | | | | | | | | | | | | | | | | | | | | | | | | | | | | | | | | | |
| 80 | | | | | | ○ | ○ | ○ | | | | | | | | | | | | | | | | | | | | | | | | | | | | | | | | | | | | | | | | | | | | | | | | | | | | | | | | | | | | | | | | | | | | | | | | | | | | | | | | | | | | | | | | | | | | | | | | | | | | | | | |
| 100 | | | | | | | | ○ | ○ | | | | | | | | | | | | | | | | | | | | | | | | | | | | | | | | | | | | | | | | | | | | | | | | | | | | | | | | | | | | | | | | | | | | | | | | | | | | | | | | | | | | | | | | | | | | | | | | | | | | | | |

С. 3 ГОСТ 8943—75

Продолжение

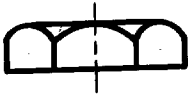
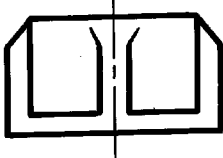
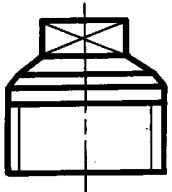
| Наименование соединительных частей | Основные размеры | Эскиз | Сортамент D_y , мм | | | | | | | | | | | | | | | | | | |
|------------------------------------|------------------|-------------------------------------------------------------------------------------|------------------------------------------------------------------------------------------------------------------------------------------------------------------------------------------------------------------------------------------------------------------------------------------------------------------------------------------------------------------------------------------------------------------------------------------------|----------|----------|--|----------|----|----|----|---|---|----|----|---|---|----|----|--|---|----|
| Крест с двумя переходами | По ГОСТ 8953—75 |  | <table border="1" data-bbox="1018 383 1442 546"> <thead> <tr> <th rowspan="2">D_{y1}</th> <th colspan="2">D_{y2}</th> <th rowspan="2">D_{y3}</th> </tr> <tr> <th>15</th> <th>20</th> </tr> </thead> <tbody> <tr> <td>20</td> <td>●</td> <td>●</td> <td>15</td> </tr> <tr> <td>25</td> <td>●</td> <td>●</td> <td>20</td> </tr> <tr> <td>32</td> <td></td> <td>●</td> <td>25</td> </tr> </tbody> </table> | D_{y1} | D_{y2} | | D_{y3} | 15 | 20 | 20 | ● | ● | 15 | 25 | ● | ● | 20 | 32 | | ● | 25 |
| D_{y1} | D_{y2} | | D_{y3} | | | | | | | | | | | | | | | | | | |
| | 15 | 20 | | | | | | | | | | | | | | | | | | | |
| 20 | ● | ● | 15 | | | | | | | | | | | | | | | | | | |
| 25 | ● | ● | 20 | | | | | | | | | | | | | | | | | | |
| 32 | | ● | 25 | | | | | | | | | | | | | | | | | | |
| Муфта прямая короткая | По ГОСТ 8954—75 |  | 8; 10; 15; 20; 25; 32; 40; 50; (65); (80); (100) | | | | | | | | | | | | | | | | | | |
| Муфта прямая длинная | По ГОСТ 8955—75 |  | 8; 10; 15; 20; 25; 32; 40; 50; (65); (80); (100) | | | | | | | | | | | | | | | | | | |
| Муфта компенсирующая | По ГОСТ 8956—75 |  | 15; 20; 25; 32; 40; 50 | | | | | | | | | | | | | | | | | | |

Продолжение

| Наименование соединительных частей | Основные размеры | Эскиз | Сортамент D_y , мм | | | | | | | | | | | | | | | | | | | | | | | | | | | | | | | | | | | | | | | | | | | | | | | | | | | | | | | | | | | | | | | | | | | | | | | | | | | | | | | | | | | | | | | | | | | | | | | | | | | | | | | | | | | | | | | | | | | | | | | | | | | | | | | | | | | |
|------------------------------------|------------------|-------------------------------------------------------------------------------------|----------------------------------------------------------------------------------------------------------------------------------------------------------------------------------------------------------------------------------------------------------------------------------------------------------------------------------------------------------------------------------------------------------------------------------------------------------------------------------------------------------------------------------------------------------------------------------------------------------------------------------------------------------------------------------------------------------------------------------------------------------------------------------------------------------------------------------------------------------------------------------------------------------------------------------------------------------------------------------------------------------------------------------------------------------------------------------------------------------------------------------------------------------------------------------------------------------------------------------------------------------------------------------------------------------------------------------------------------------------------------------------------------------------------------------------------------------------------------------|----------|----------|----|----|----|----|----|--|--|--|--|---|----|----|----|----|----|----|----|----|----|----|---|--|--|--|--|--|--|--|--|--|----|---|---|--|--|--|--|--|--|--|--|----|--|---|---|--|--|--|--|--|--|--|----|--|--|---|---|--|--|--|--|--|--|----|--|--|---|---|---|--|--|--|--|--|----|--|--|---|---|---|---|--|--|--|--|----|--|--|---|---|---|---|---|--|--|--|----|--|--|--|--|--|---|---|---|--|--|----|--|--|--|--|--|--|---|---|---|--|-----|--|--|--|--|--|--|--|---|---|---|
| Муфта переходная | По ГОСТ 8957—75 |  | <table border="1"> <thead> <tr> <th rowspan="2">D_{y1}</th> <th colspan="10">D_{y2}</th> </tr> <tr> <th>8</th> <th>10</th> <th>15</th> <th>20</th> <th>25</th> <th>32</th> <th>40</th> <th>50</th> <th>65</th> <th>80</th> </tr> </thead> <tbody> <tr><td>10</td><td>●</td><td></td><td></td><td></td><td></td><td></td><td></td><td></td><td></td><td></td></tr> <tr><td>15</td><td>●</td><td>●</td><td></td><td></td><td></td><td></td><td></td><td></td><td></td><td></td></tr> <tr><td>20</td><td></td><td>●</td><td>●</td><td></td><td></td><td></td><td></td><td></td><td></td><td></td></tr> <tr><td>25</td><td></td><td></td><td>●</td><td>●</td><td></td><td></td><td></td><td></td><td></td><td></td></tr> <tr><td>32</td><td></td><td></td><td>●</td><td>●</td><td>●</td><td></td><td></td><td></td><td></td><td></td></tr> <tr><td>40</td><td></td><td></td><td>●</td><td>●</td><td>●</td><td>●</td><td></td><td></td><td></td><td></td></tr> <tr><td>50</td><td></td><td></td><td></td><td></td><td>●</td><td>●</td><td>●</td><td></td><td></td><td></td></tr> <tr><td>65</td><td></td><td></td><td></td><td></td><td></td><td>○</td><td>○</td><td>○</td><td></td><td></td></tr> <tr><td>80</td><td></td><td></td><td></td><td></td><td></td><td></td><td>○</td><td>○</td><td>○</td><td></td></tr> <tr><td>100</td><td></td><td></td><td></td><td></td><td></td><td></td><td></td><td>○</td><td>○</td><td>○</td></tr> </tbody> </table> | D_{y1} | D_{y2} | | | | | | | | | | 8 | 10 | 15 | 20 | 25 | 32 | 40 | 50 | 65 | 80 | 10 | ● | | | | | | | | | | 15 | ● | ● | | | | | | | | | 20 | | ● | ● | | | | | | | | 25 | | | ● | ● | | | | | | | 32 | | | ● | ● | ● | | | | | | 40 | | | ● | ● | ● | ● | | | | | 50 | | | | | ● | ● | ● | | | | 65 | | | | | | ○ | ○ | ○ | | | 80 | | | | | | | ○ | ○ | ○ | | 100 | | | | | | | | ○ | ○ | ○ |
| D_{y1} | D_{y2} | | | | | | | | | | | | | | | | | | | | | | | | | | | | | | | | | | | | | | | | | | | | | | | | | | | | | | | | | | | | | | | | | | | | | | | | | | | | | | | | | | | | | | | | | | | | | | | | | | | | | | | | | | | | | | | | | | | | | | | | | | | | | | | | | | | | | |
| | 8 | 10 | 15 | 20 | 25 | 32 | 40 | 50 | 65 | 80 | | | | | | | | | | | | | | | | | | | | | | | | | | | | | | | | | | | | | | | | | | | | | | | | | | | | | | | | | | | | | | | | | | | | | | | | | | | | | | | | | | | | | | | | | | | | | | | | | | | | | | | | | | | | | | | | | | | | | | | | | | | | |
| 10 | ● | | | | | | | | | | | | | | | | | | | | | | | | | | | | | | | | | | | | | | | | | | | | | | | | | | | | | | | | | | | | | | | | | | | | | | | | | | | | | | | | | | | | | | | | | | | | | | | | | | | | | | | | | | | | | | | | | | | | | | | | | | | | | | | | | | | | | |
| 15 | ● | ● | | | | | | | | | | | | | | | | | | | | | | | | | | | | | | | | | | | | | | | | | | | | | | | | | | | | | | | | | | | | | | | | | | | | | | | | | | | | | | | | | | | | | | | | | | | | | | | | | | | | | | | | | | | | | | | | | | | | | | | | | | | | | | | | | | | | |
| 20 | | ● | ● | | | | | | | | | | | | | | | | | | | | | | | | | | | | | | | | | | | | | | | | | | | | | | | | | | | | | | | | | | | | | | | | | | | | | | | | | | | | | | | | | | | | | | | | | | | | | | | | | | | | | | | | | | | | | | | | | | | | | | | | | | | | | | | | | | | |
| 25 | | | ● | ● | | | | | | | | | | | | | | | | | | | | | | | | | | | | | | | | | | | | | | | | | | | | | | | | | | | | | | | | | | | | | | | | | | | | | | | | | | | | | | | | | | | | | | | | | | | | | | | | | | | | | | | | | | | | | | | | | | | | | | | | | | | | | | | | | | |
| 32 | | | ● | ● | ● | | | | | | | | | | | | | | | | | | | | | | | | | | | | | | | | | | | | | | | | | | | | | | | | | | | | | | | | | | | | | | | | | | | | | | | | | | | | | | | | | | | | | | | | | | | | | | | | | | | | | | | | | | | | | | | | | | | | | | | | | | | | | | | | | |
| 40 | | | ● | ● | ● | ● | | | | | | | | | | | | | | | | | | | | | | | | | | | | | | | | | | | | | | | | | | | | | | | | | | | | | | | | | | | | | | | | | | | | | | | | | | | | | | | | | | | | | | | | | | | | | | | | | | | | | | | | | | | | | | | | | | | | | | | | | | | | | | | | |
| 50 | | | | | ● | ● | ● | | | | | | | | | | | | | | | | | | | | | | | | | | | | | | | | | | | | | | | | | | | | | | | | | | | | | | | | | | | | | | | | | | | | | | | | | | | | | | | | | | | | | | | | | | | | | | | | | | | | | | | | | | | | | | | | | | | | | | | | | | | | | | | |
| 65 | | | | | | ○ | ○ | ○ | | | | | | | | | | | | | | | | | | | | | | | | | | | | | | | | | | | | | | | | | | | | | | | | | | | | | | | | | | | | | | | | | | | | | | | | | | | | | | | | | | | | | | | | | | | | | | | | | | | | | | | | | | | | | | | | | | | | | | | | | | | | | | |
| 80 | | | | | | | ○ | ○ | ○ | | | | | | | | | | | | | | | | | | | | | | | | | | | | | | | | | | | | | | | | | | | | | | | | | | | | | | | | | | | | | | | | | | | | | | | | | | | | | | | | | | | | | | | | | | | | | | | | | | | | | | | | | | | | | | | | | | | | | | | | | | | | | |
| 100 | | | | | | | | ○ | ○ | ○ | | | | | | | | | | | | | | | | | | | | | | | | | | | | | | | | | | | | | | | | | | | | | | | | | | | | | | | | | | | | | | | | | | | | | | | | | | | | | | | | | | | | | | | | | | | | | | | | | | | | | | | | | | | | | | | | | | | | | | | | | | | | |
| Ниппель двойной | По ГОСТ 8958—75 |  | 8; 10; 15; 20; 25; 32; 40; 50; (65); (80) | | | | | | | | | | | | | | | | | | | | | | | | | | | | | | | | | | | | | | | | | | | | | | | | | | | | | | | | | | | | | | | | | | | | | | | | | | | | | | | | | | | | | | | | | | | | | | | | | | | | | | | | | | | | | | | | | | | | | | | | | | | | | | | | | | | |
| Гайка соединительная | По ГОСТ 8959—75 |  | 8; 10; 15; 20; 25; 32; 40; 50; (65); (80) | | | | | | | | | | | | | | | | | | | | | | | | | | | | | | | | | | | | | | | | | | | | | | | | | | | | | | | | | | | | | | | | | | | | | | | | | | | | | | | | | | | | | | | | | | | | | | | | | | | | | | | | | | | | | | | | | | | | | | | | | | | | | | | | | | | |
| Футорка | По ГОСТ 8960—75 |  | <table border="1"> <thead> <tr> <th rowspan="2">D_{y1}</th> <th colspan="10">D_{y2}</th> </tr> <tr> <th>8</th> <th>10</th> <th>15</th> <th>20</th> <th>25</th> <th>32</th> <th>40</th> <th>50</th> <th>65</th> <th>80</th> </tr> </thead> <tbody> <tr><td>10</td><td>●</td><td></td><td></td><td></td><td></td><td></td><td></td><td></td><td></td><td></td></tr> <tr><td>15</td><td>●</td><td>●</td><td></td><td></td><td></td><td></td><td></td><td></td><td></td><td></td></tr> <tr><td>20</td><td></td><td>●</td><td>●</td><td></td><td></td><td></td><td></td><td></td><td></td><td></td></tr> <tr><td>25</td><td></td><td></td><td>●</td><td>●</td><td></td><td></td><td></td><td></td><td></td><td></td></tr> <tr><td>32</td><td></td><td></td><td>●</td><td>●</td><td>●</td><td></td><td></td><td></td><td></td><td></td></tr> <tr><td>40</td><td></td><td></td><td>●</td><td>●</td><td>●</td><td>●</td><td></td><td></td><td></td><td></td></tr> <tr><td>50</td><td></td><td></td><td>●</td><td>●</td><td>●</td><td>●</td><td>●</td><td></td><td></td><td></td></tr> <tr><td>65</td><td></td><td></td><td></td><td></td><td></td><td>○</td><td>○</td><td>○</td><td></td><td></td></tr> <tr><td>80</td><td></td><td></td><td></td><td></td><td></td><td></td><td>○</td><td>○</td><td>○</td><td></td></tr> <tr><td>100</td><td></td><td></td><td></td><td></td><td></td><td></td><td></td><td>○</td><td>○</td><td>○</td></tr> </tbody> </table> | D_{y1} | D_{y2} | | | | | | | | | | 8 | 10 | 15 | 20 | 25 | 32 | 40 | 50 | 65 | 80 | 10 | ● | | | | | | | | | | 15 | ● | ● | | | | | | | | | 20 | | ● | ● | | | | | | | | 25 | | | ● | ● | | | | | | | 32 | | | ● | ● | ● | | | | | | 40 | | | ● | ● | ● | ● | | | | | 50 | | | ● | ● | ● | ● | ● | | | | 65 | | | | | | ○ | ○ | ○ | | | 80 | | | | | | | ○ | ○ | ○ | | 100 | | | | | | | | ○ | ○ | ○ |
| D_{y1} | D_{y2} | | | | | | | | | | | | | | | | | | | | | | | | | | | | | | | | | | | | | | | | | | | | | | | | | | | | | | | | | | | | | | | | | | | | | | | | | | | | | | | | | | | | | | | | | | | | | | | | | | | | | | | | | | | | | | | | | | | | | | | | | | | | | | | | | | | | | |
| | 8 | 10 | 15 | 20 | 25 | 32 | 40 | 50 | 65 | 80 | | | | | | | | | | | | | | | | | | | | | | | | | | | | | | | | | | | | | | | | | | | | | | | | | | | | | | | | | | | | | | | | | | | | | | | | | | | | | | | | | | | | | | | | | | | | | | | | | | | | | | | | | | | | | | | | | | | | | | | | | | | | |
| 10 | ● | | | | | | | | | | | | | | | | | | | | | | | | | | | | | | | | | | | | | | | | | | | | | | | | | | | | | | | | | | | | | | | | | | | | | | | | | | | | | | | | | | | | | | | | | | | | | | | | | | | | | | | | | | | | | | | | | | | | | | | | | | | | | | | | | | | | | |
| 15 | ● | ● | | | | | | | | | | | | | | | | | | | | | | | | | | | | | | | | | | | | | | | | | | | | | | | | | | | | | | | | | | | | | | | | | | | | | | | | | | | | | | | | | | | | | | | | | | | | | | | | | | | | | | | | | | | | | | | | | | | | | | | | | | | | | | | | | | | | |
| 20 | | ● | ● | | | | | | | | | | | | | | | | | | | | | | | | | | | | | | | | | | | | | | | | | | | | | | | | | | | | | | | | | | | | | | | | | | | | | | | | | | | | | | | | | | | | | | | | | | | | | | | | | | | | | | | | | | | | | | | | | | | | | | | | | | | | | | | | | | | |
| 25 | | | ● | ● | | | | | | | | | | | | | | | | | | | | | | | | | | | | | | | | | | | | | | | | | | | | | | | | | | | | | | | | | | | | | | | | | | | | | | | | | | | | | | | | | | | | | | | | | | | | | | | | | | | | | | | | | | | | | | | | | | | | | | | | | | | | | | | | | | |
| 32 | | | ● | ● | ● | | | | | | | | | | | | | | | | | | | | | | | | | | | | | | | | | | | | | | | | | | | | | | | | | | | | | | | | | | | | | | | | | | | | | | | | | | | | | | | | | | | | | | | | | | | | | | | | | | | | | | | | | | | | | | | | | | | | | | | | | | | | | | | | | |
| 40 | | | ● | ● | ● | ● | | | | | | | | | | | | | | | | | | | | | | | | | | | | | | | | | | | | | | | | | | | | | | | | | | | | | | | | | | | | | | | | | | | | | | | | | | | | | | | | | | | | | | | | | | | | | | | | | | | | | | | | | | | | | | | | | | | | | | | | | | | | | | | | |
| 50 | | | ● | ● | ● | ● | ● | | | | | | | | | | | | | | | | | | | | | | | | | | | | | | | | | | | | | | | | | | | | | | | | | | | | | | | | | | | | | | | | | | | | | | | | | | | | | | | | | | | | | | | | | | | | | | | | | | | | | | | | | | | | | | | | | | | | | | | | | | | | | | | |
| 65 | | | | | | ○ | ○ | ○ | | | | | | | | | | | | | | | | | | | | | | | | | | | | | | | | | | | | | | | | | | | | | | | | | | | | | | | | | | | | | | | | | | | | | | | | | | | | | | | | | | | | | | | | | | | | | | | | | | | | | | | | | | | | | | | | | | | | | | | | | | | | | | |
| 80 | | | | | | | ○ | ○ | ○ | | | | | | | | | | | | | | | | | | | | | | | | | | | | | | | | | | | | | | | | | | | | | | | | | | | | | | | | | | | | | | | | | | | | | | | | | | | | | | | | | | | | | | | | | | | | | | | | | | | | | | | | | | | | | | | | | | | | | | | | | | | | | |
| 100 | | | | | | | | ○ | ○ | ○ | | | | | | | | | | | | | | | | | | | | | | | | | | | | | | | | | | | | | | | | | | | | | | | | | | | | | | | | | | | | | | | | | | | | | | | | | | | | | | | | | | | | | | | | | | | | | | | | | | | | | | | | | | | | | | | | | | | | | | | | | | | | |

С. 5 ГОСТ 8943—75

Продолжение

| Наименование соединительных частей | Основные размеры | Эскиз | Сортамент D_y , мм |
|------------------------------------|------------------|-----------------------------------------------------------------------------------|-----------------------------------------------------|
| Контргайка | По ГОСТ 8961—75 |  | 8; 10; 15; 20; 25; 32; 40; 50; (65); (80); (100) |
| Колпак | По ГОСТ 8962—75 |  | 15; 20; 25; 32; 40; 50 |
| Пробка | По ГОСТ 8963—75 |  | 8; 10; 15; 20; 25; 32; 40; 50; (65); (80); (100) |

Примечание. Соединительные части с D_y , указанными в таблице в скобках или обозначенные знаком «О», применять не рекомендуется.